

Chapter NR 812

APPENDIX

Figure 1. Pitless unit connections for wells with steel well casing pipe.

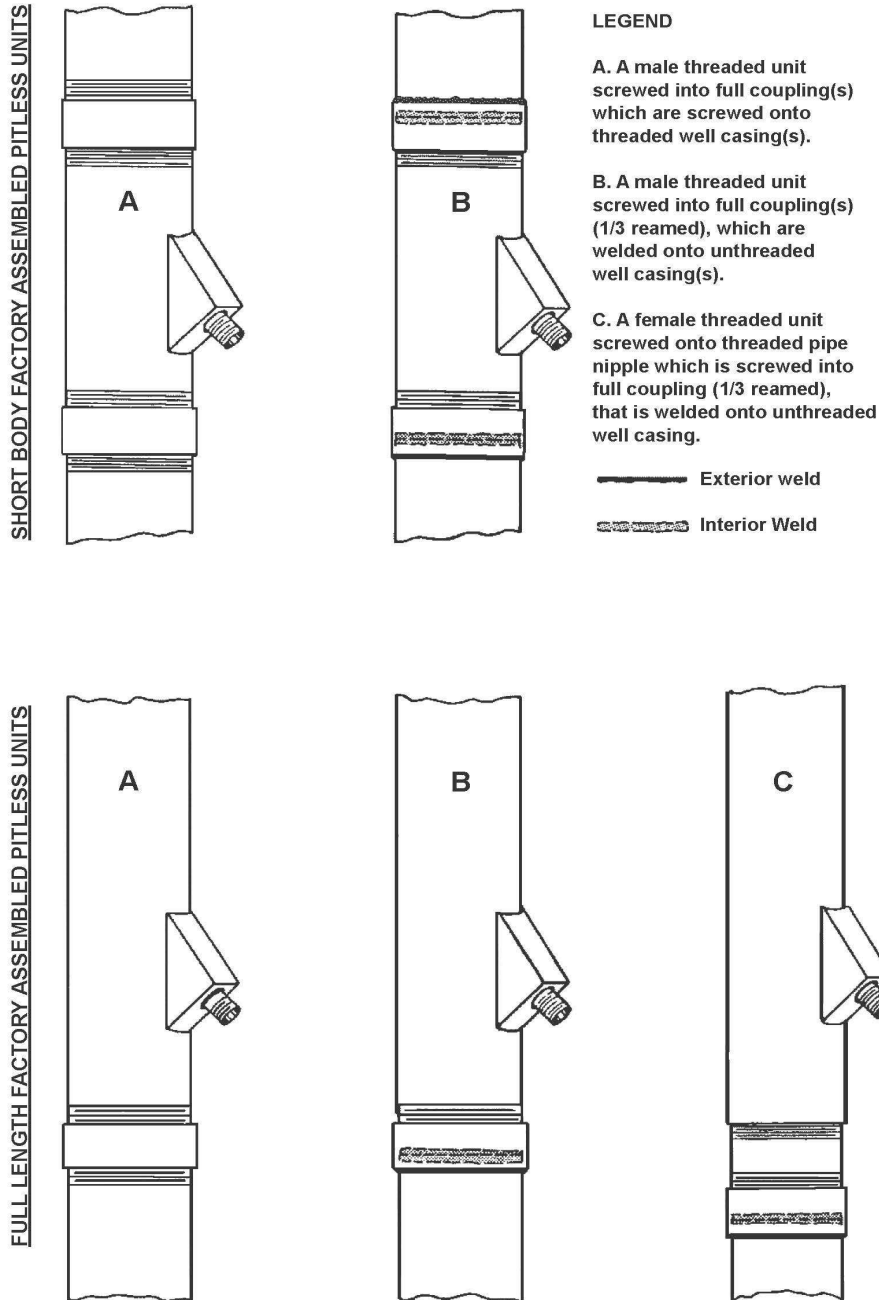
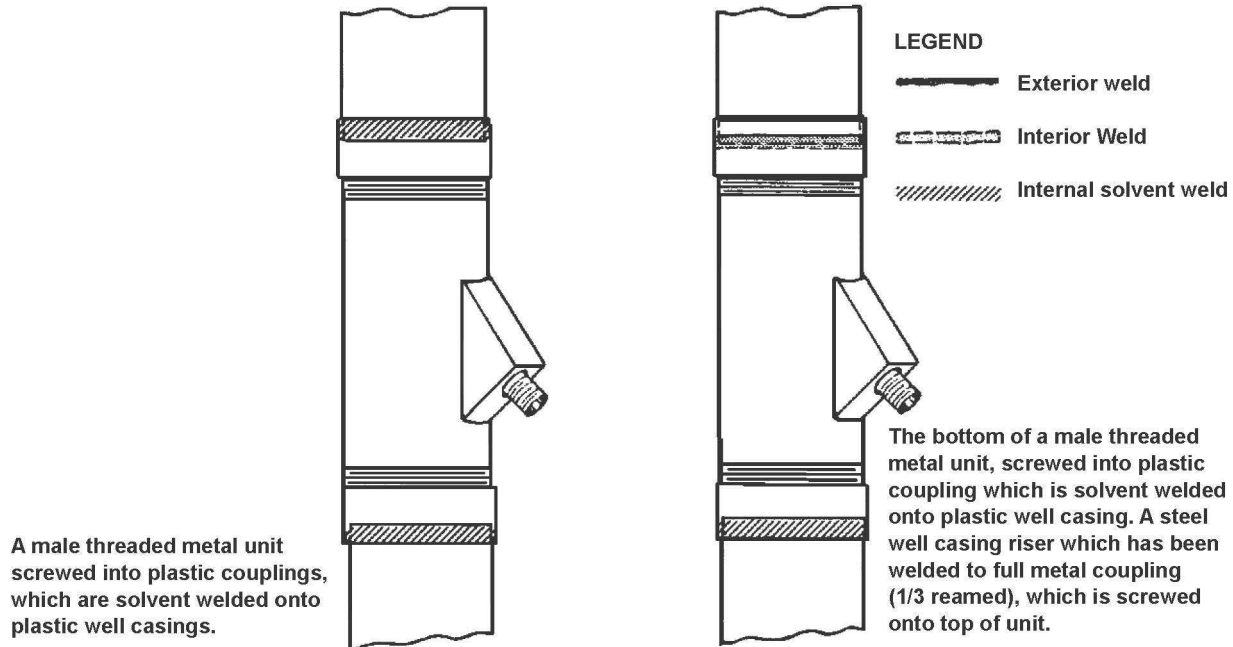


Figure 2. Pitless unit connections for wells with thermoplastic well casing pipe.

SHORT BODY FACTORY ASSEMBLED PITLESS UNITS



FULL LENGTH FACTORY ASSEMBLED PITLESS UNITS

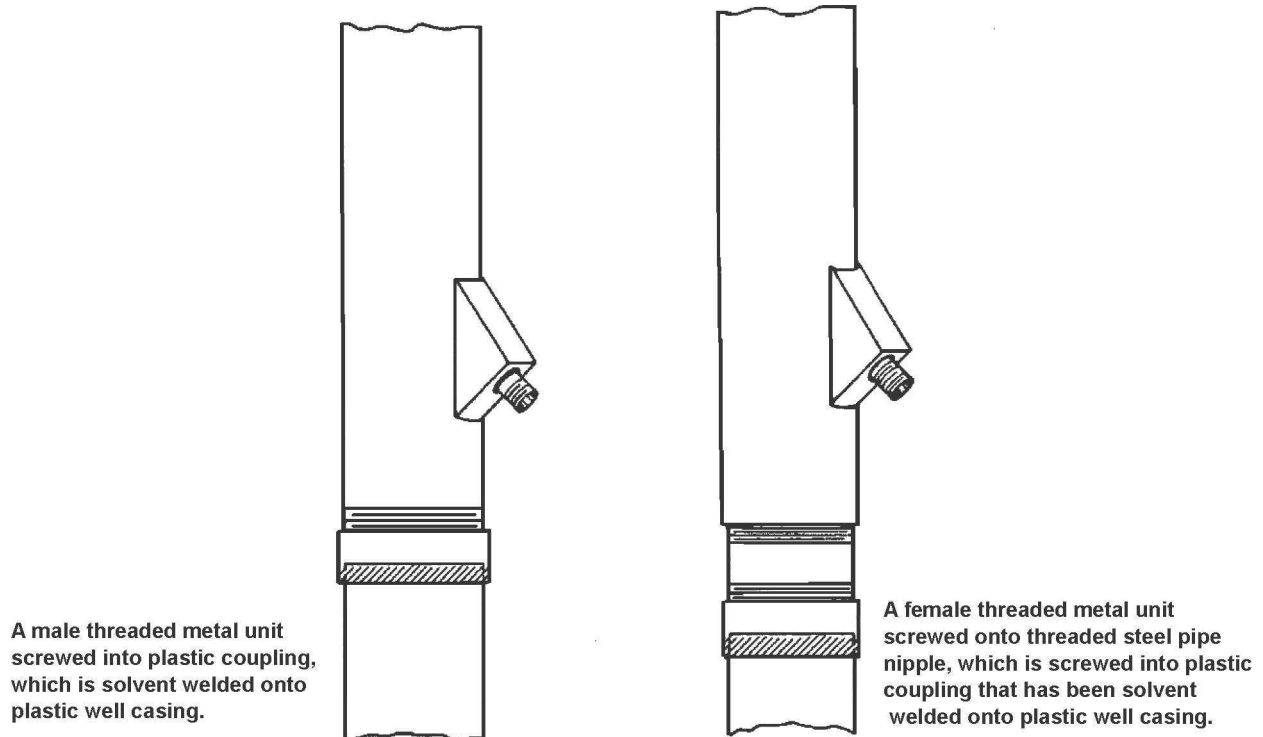


Figure 3. High capacity well pump installation depicting pumpage and water level measuring devices, well vents and air-relief vacuum breakers.

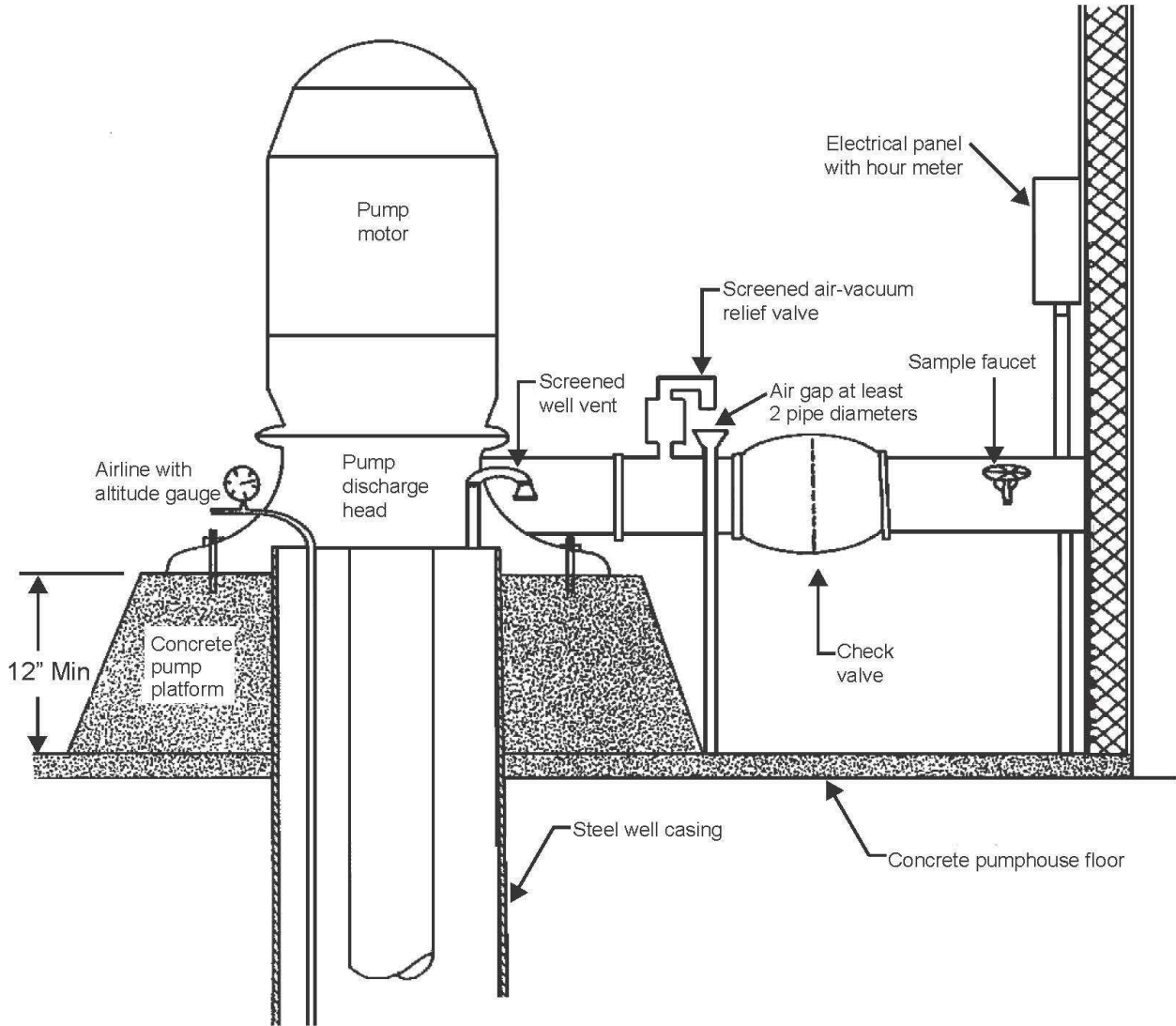


Figure 4. Flowing well - Overflow piping arrangement with a submersible pump.

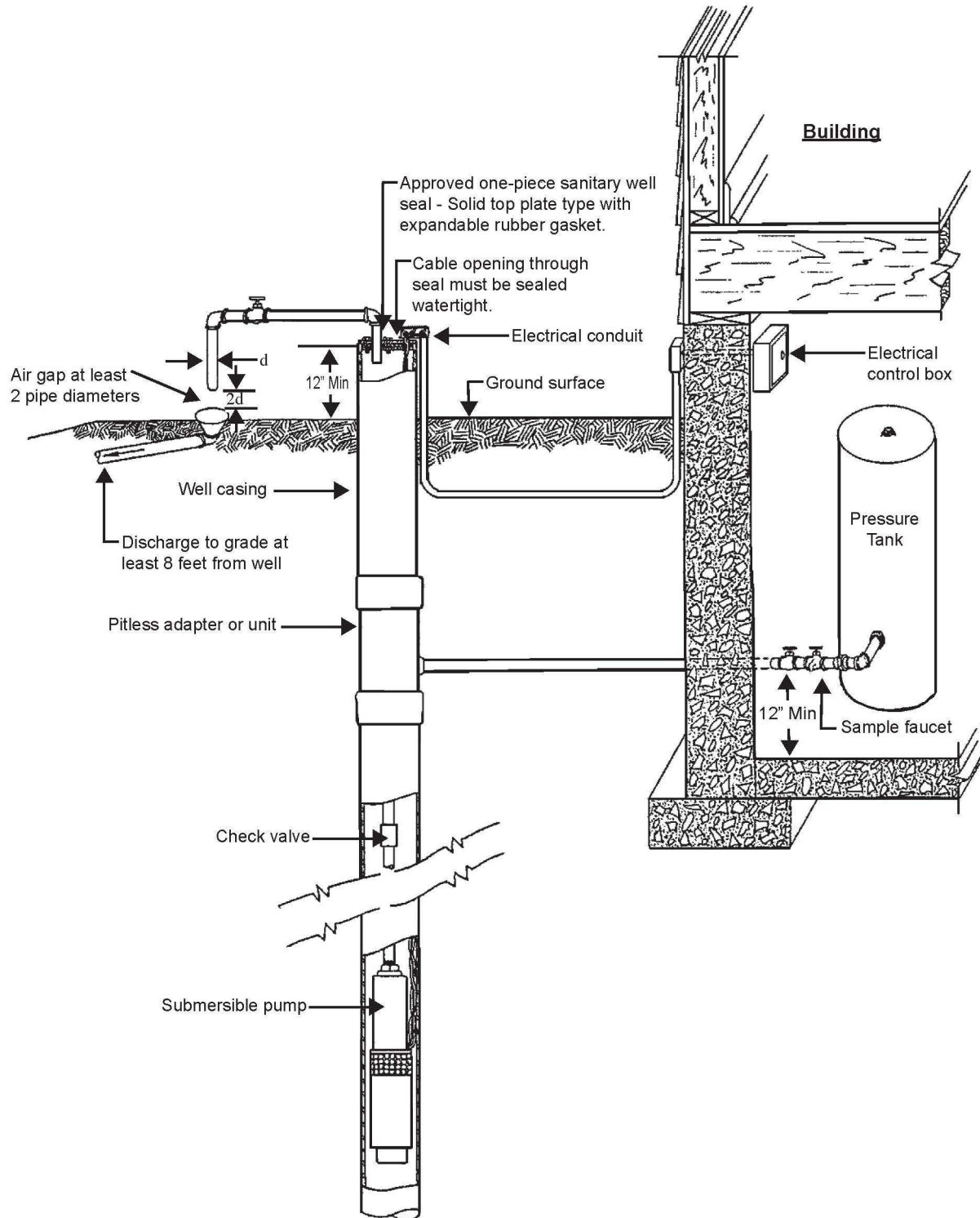


Figure 5. Flowing well - surge tank installation.

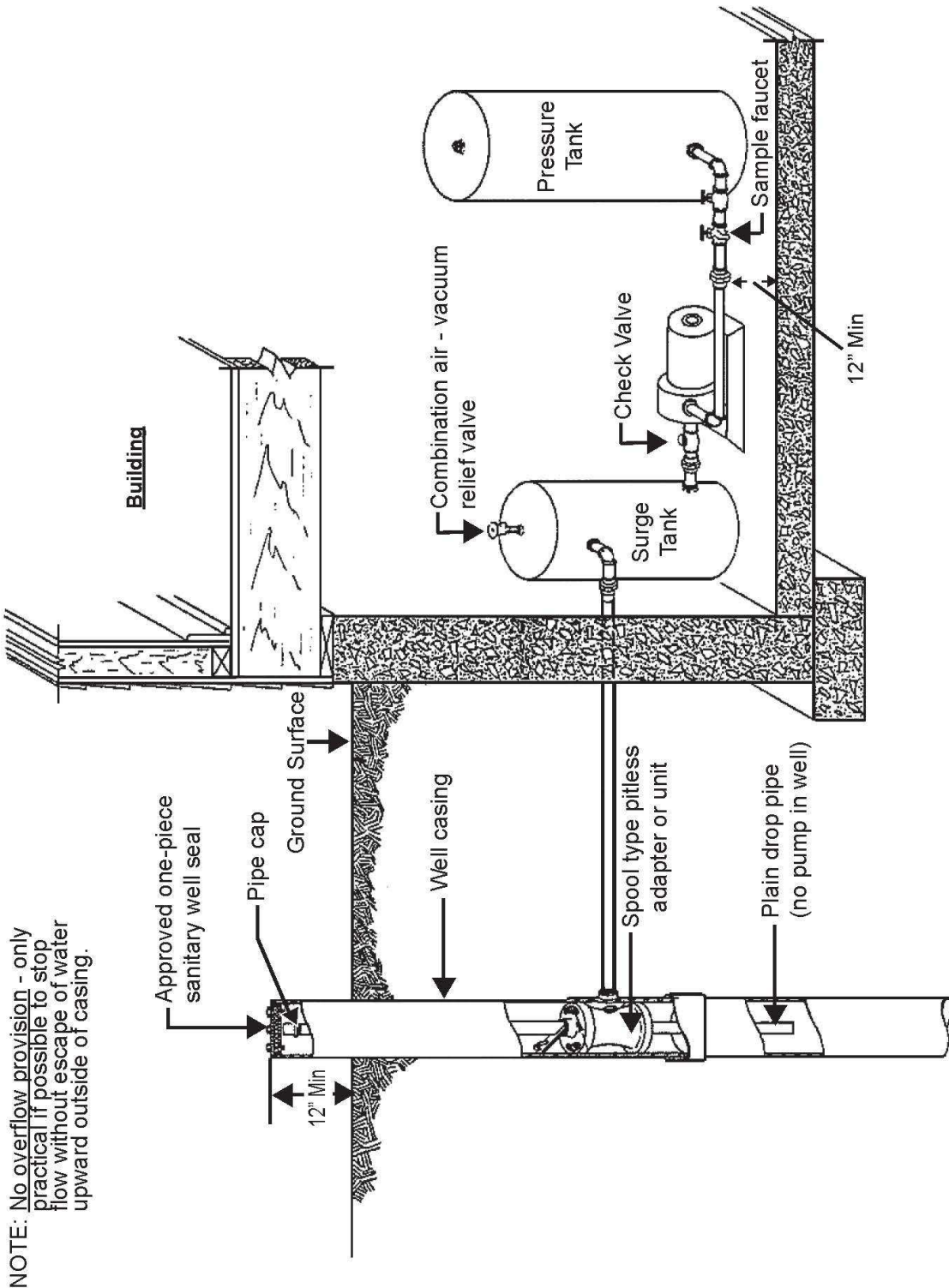


Figure 6. Flowing well - Over low piping arrangement with a surge tank and no pump.

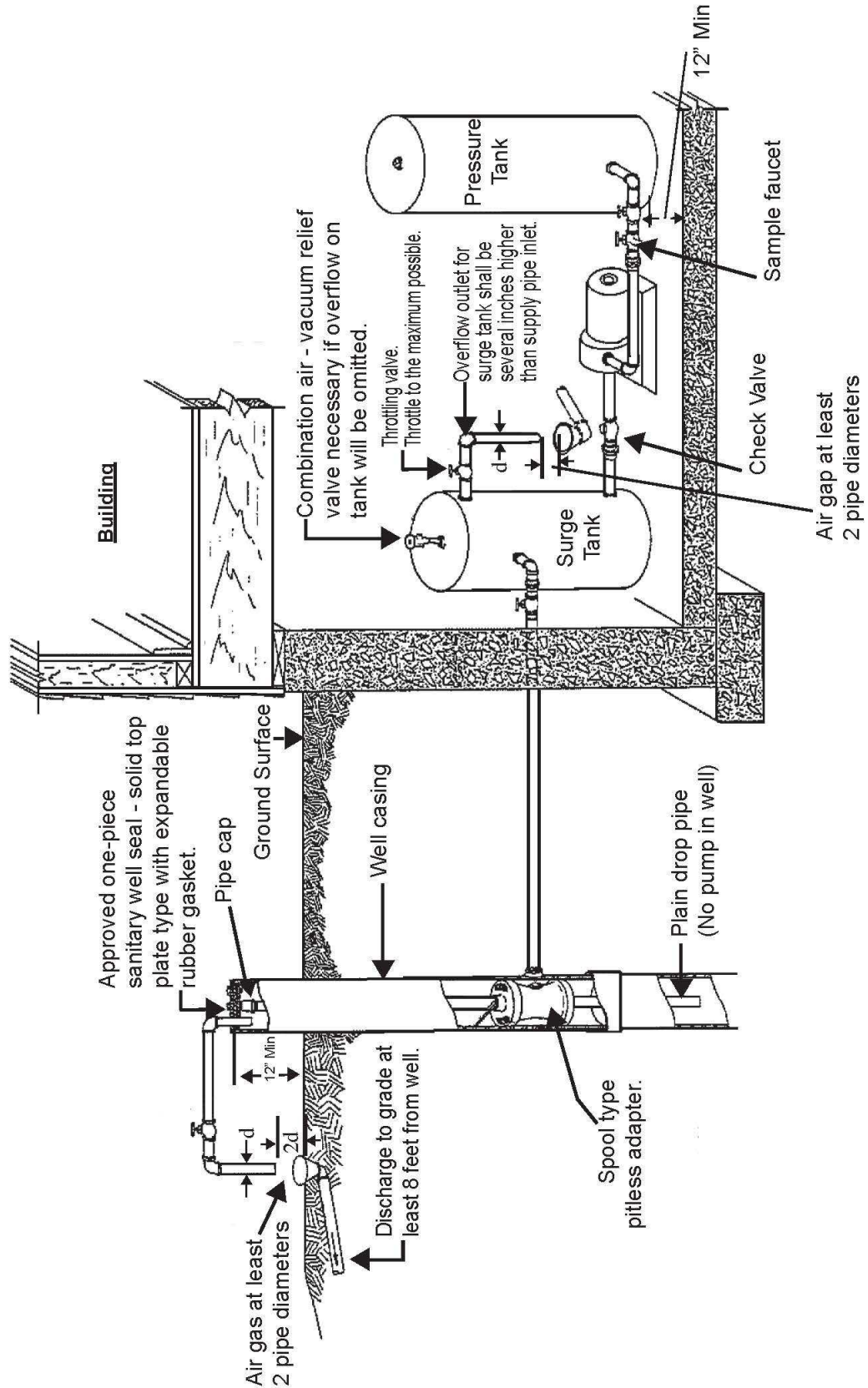


Figure 7. Reservoir specifications.

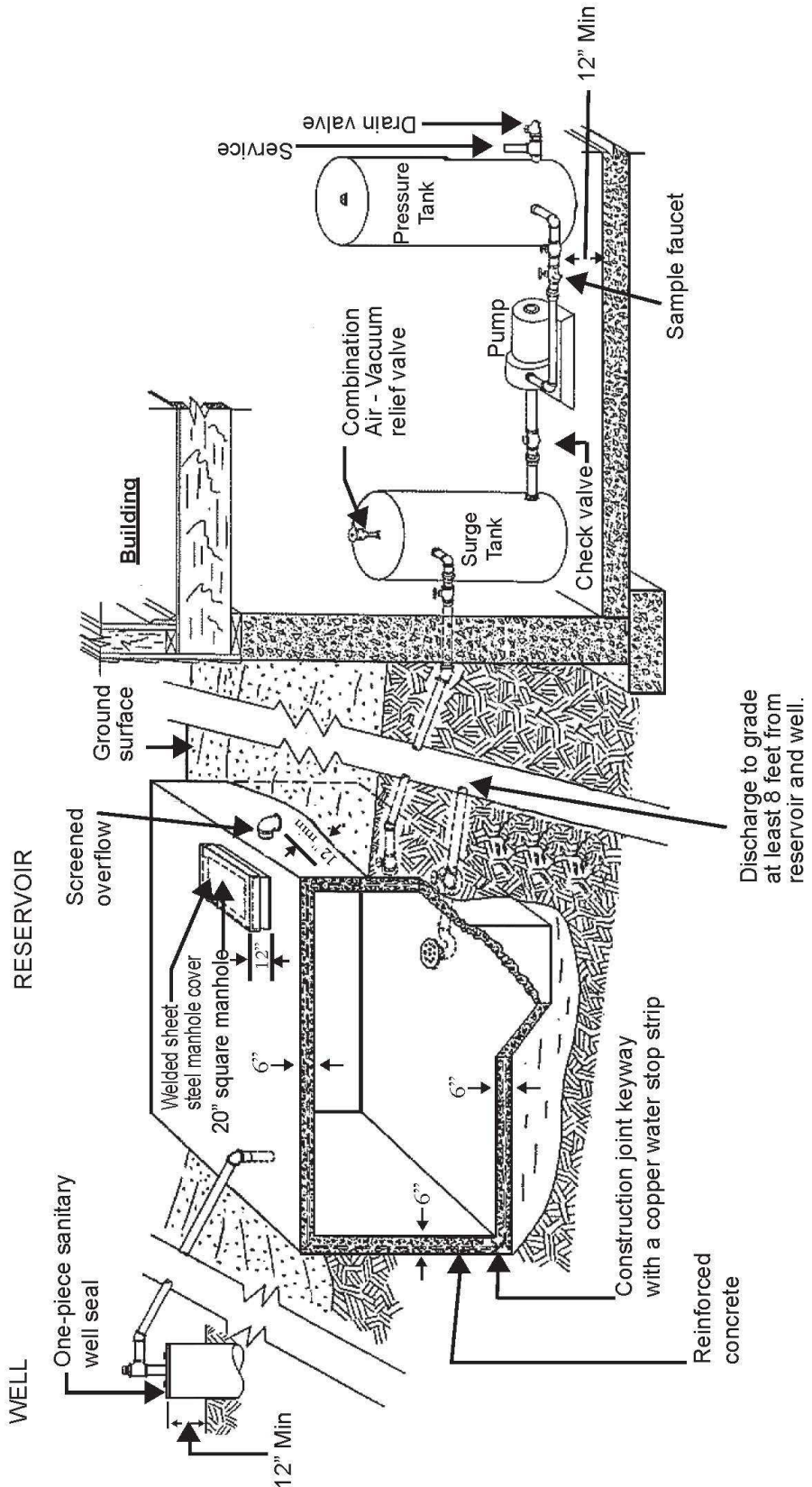


Figure 8. Well pits - Minimum requirements

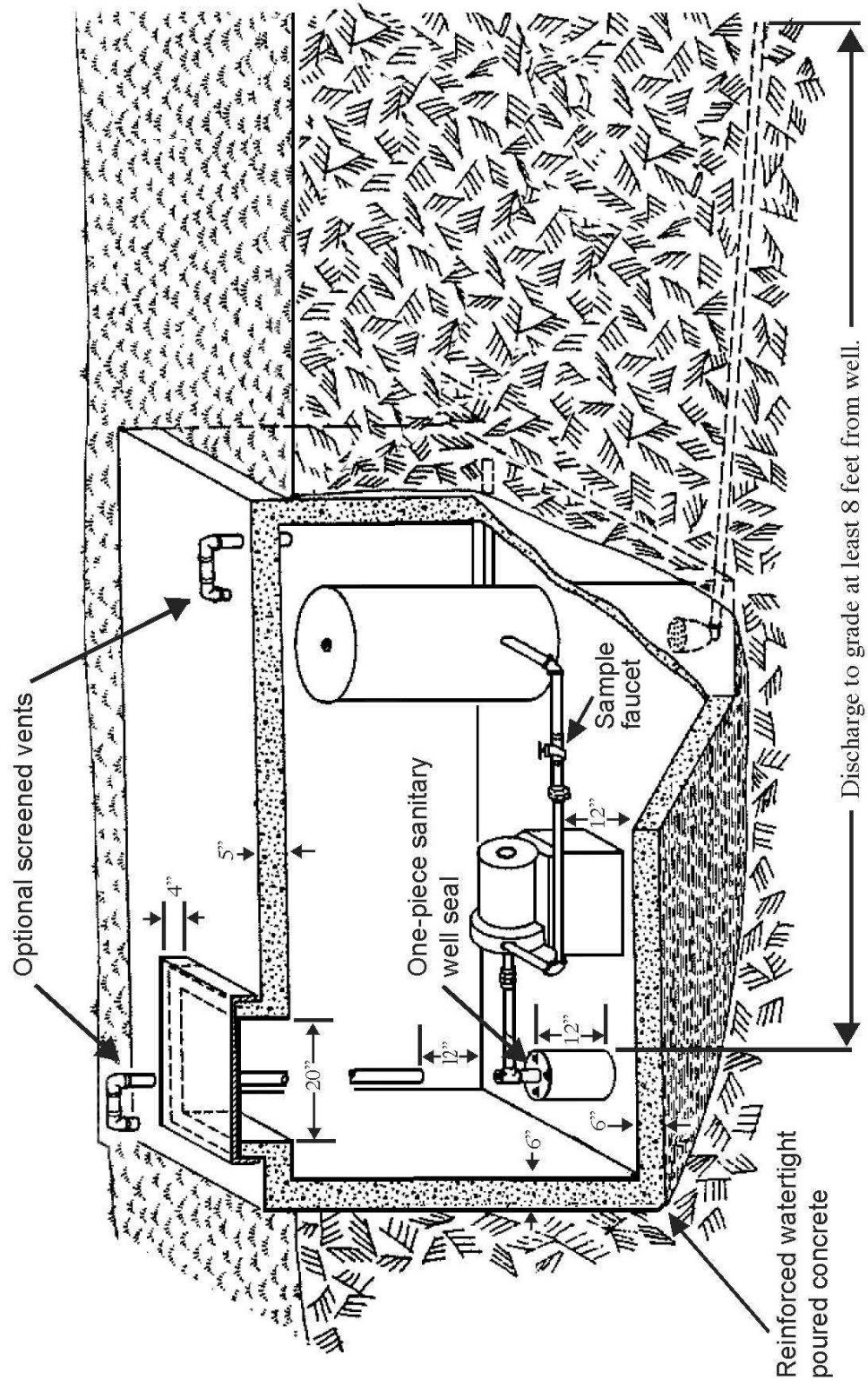


Figure 9. Driveway Ramp Installation

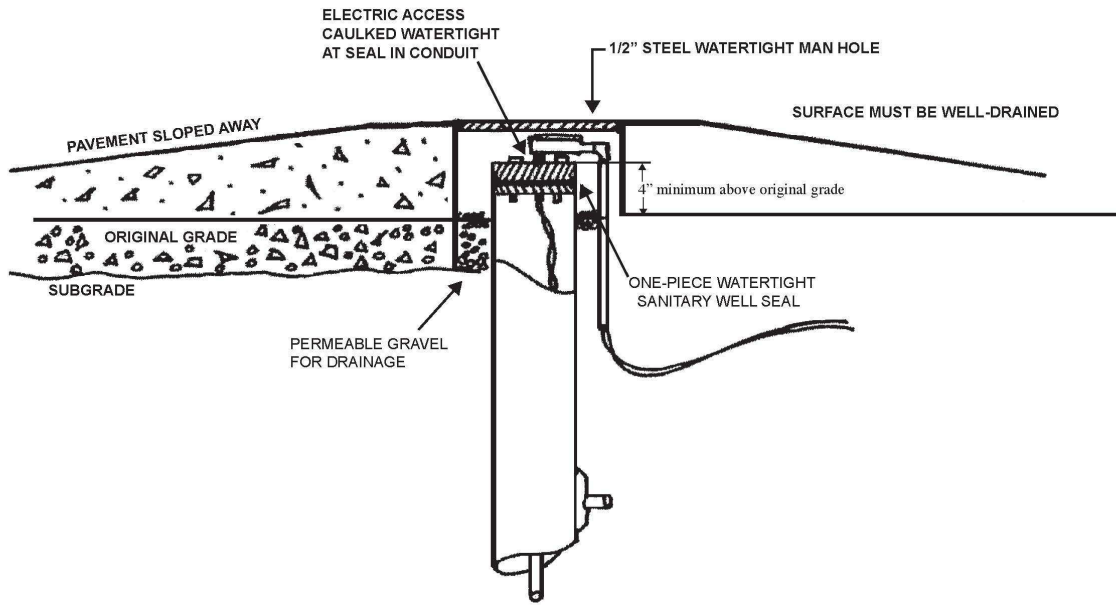


Figure 10. Well pits - Minimum requirements for pits installed on or before April 10, 1953.

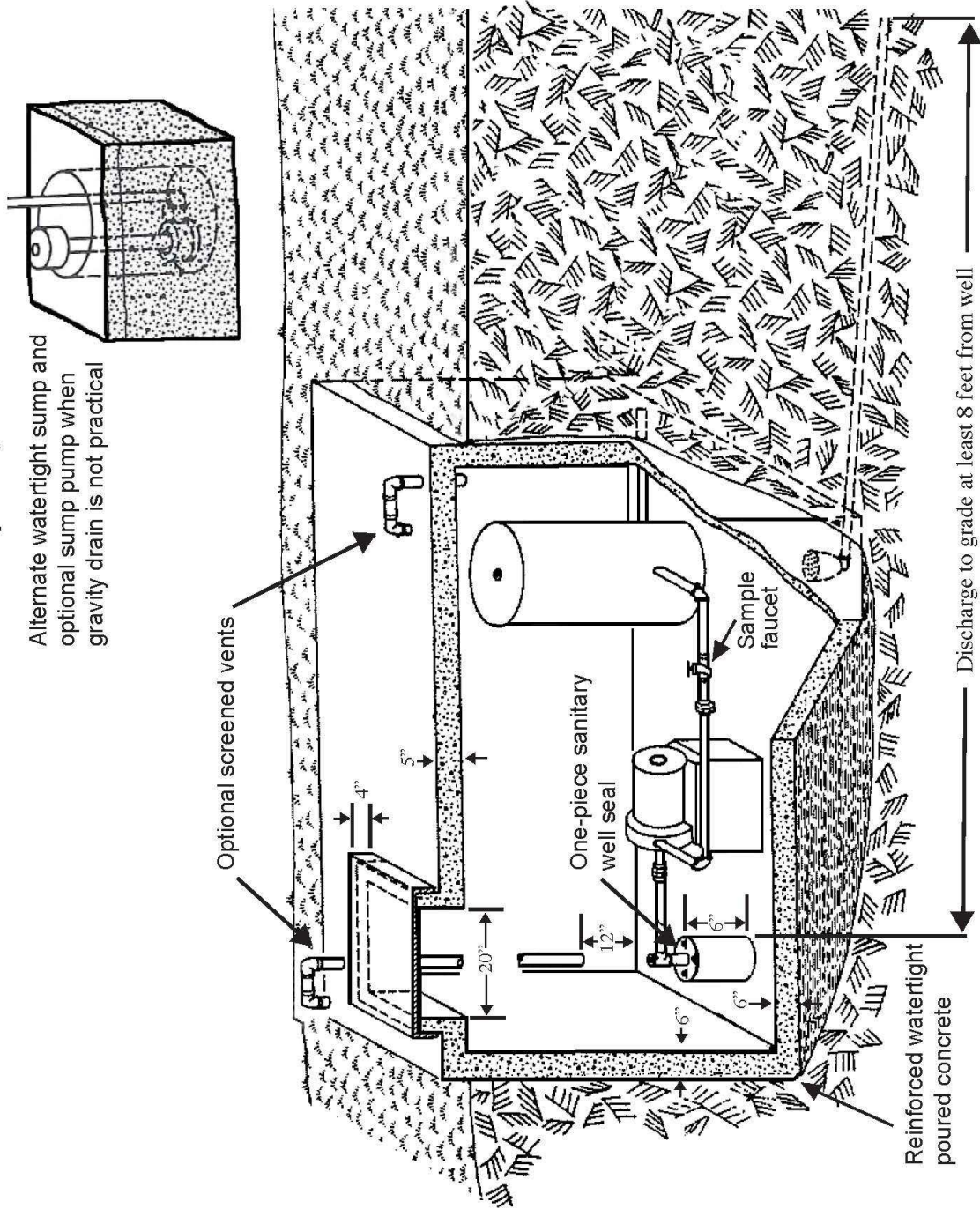


Figure 11. Alcove - Requirements for an alcove installed on or before April 10, 1953

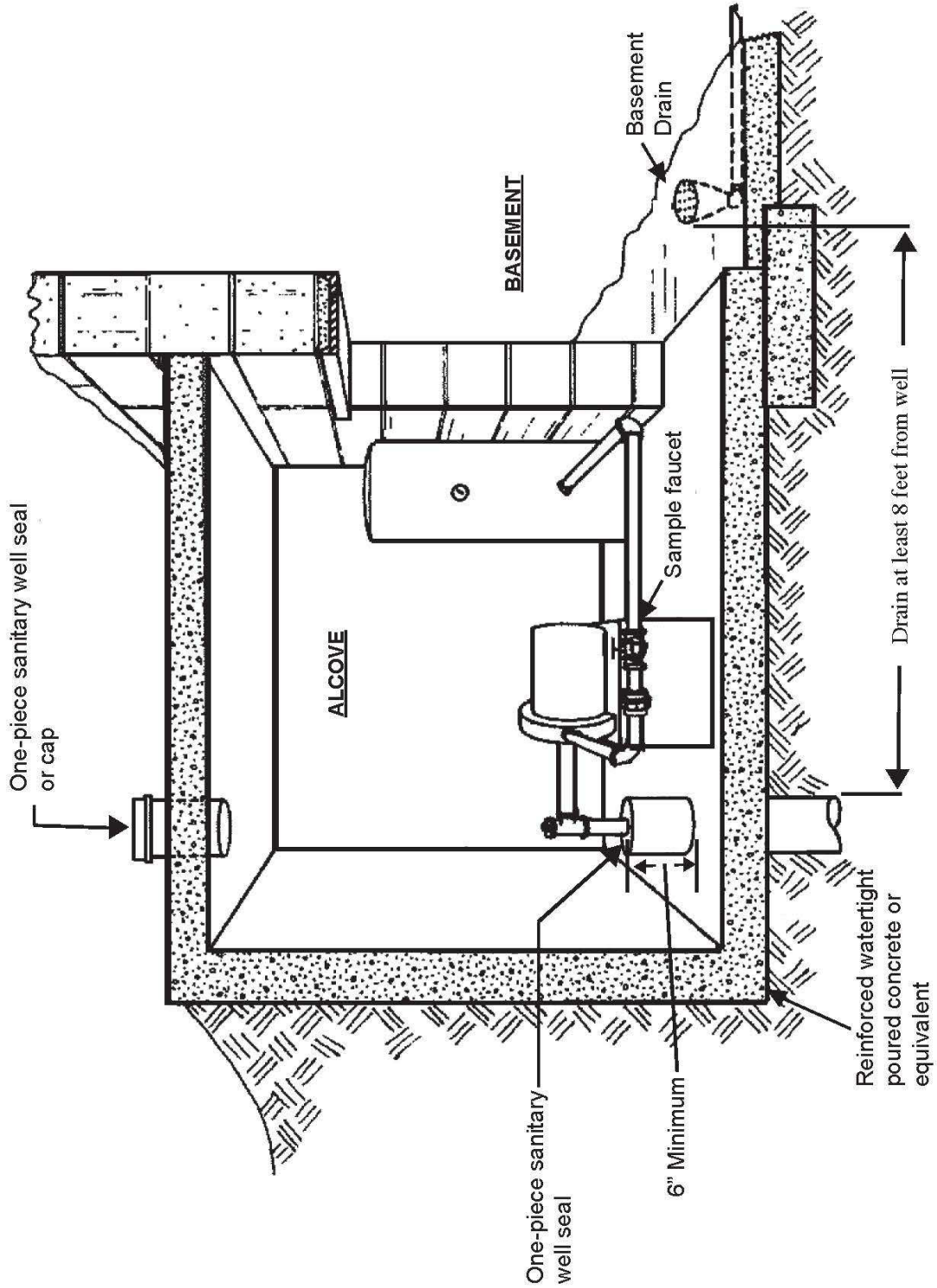


Figure 12. Minimum requirements for pump installations for wells with nonpressurized conduit installed prior to February 1, 1991

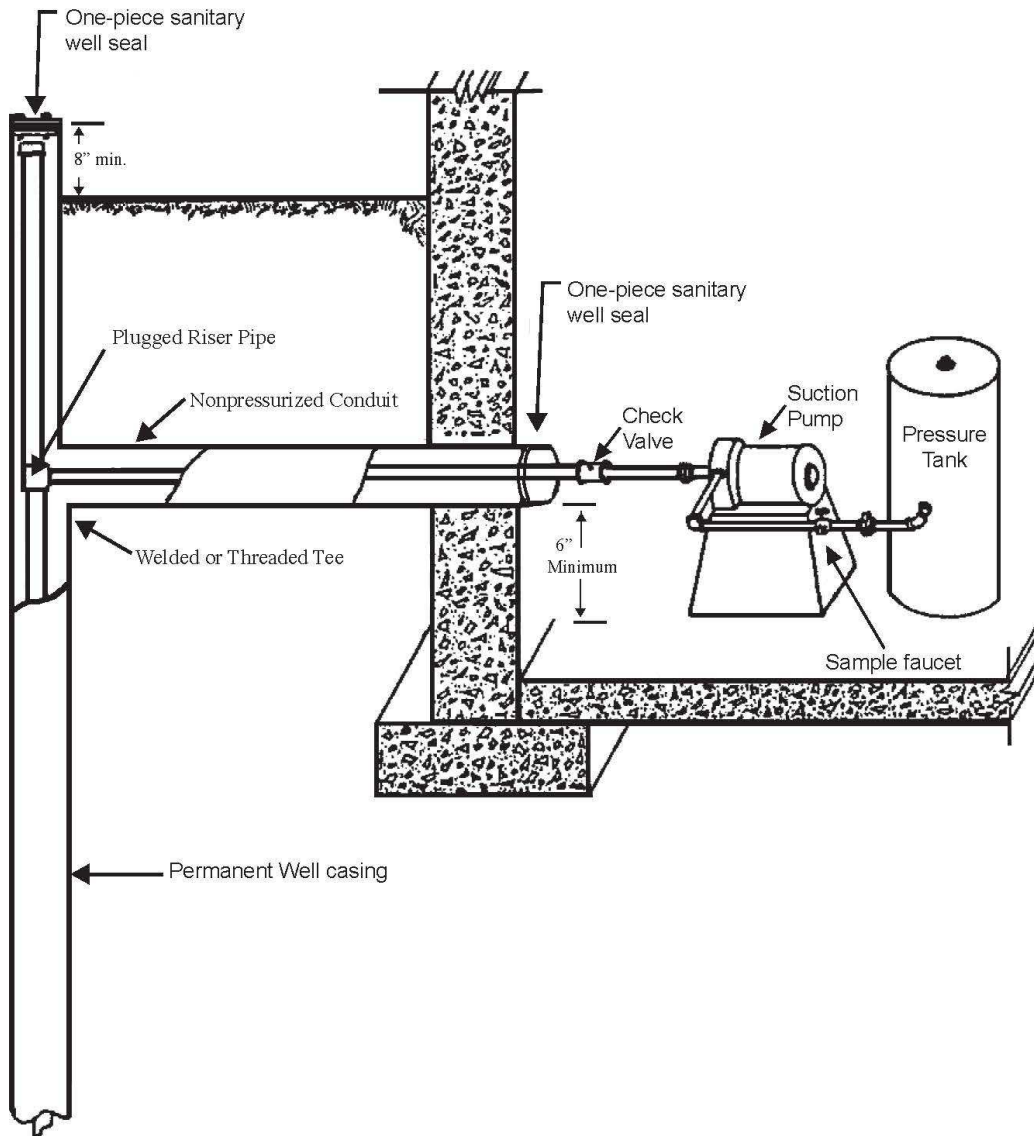


Figure 13. Pump installation for a deep well jet pump assembly and a nonpressurized conduit installed prior to February 1, 1991

