

## Chapter ILHR 69

### BARRIER-FREE DESIGN

#### Subchapter I — Administration and Enforcement

ILHR 69.01	Purpose
ILHR 69.02	Scope
ILHR 69.03	Application
ILHR 69.04	Buildings exempt from the code requirements
ILHR 69.05	Design and supervision
ILHR 69.06	Plan examination and department action
ILHR 69.07	Enforcement
ILHR 69.08	Appeals
ILHR 69.09	Penalties
ILHR 69.10	Petitions for variance

#### Subchapter II — Standards for New Construction, Additions and Alterations

ILHR 69.11	Standards for new construction, additions and alterations
ILHR 69.12	Changes or additions to or omissions from the ADAAG
ILHR 69.13	Purpose [ADAAG 1.]
ILHR 69.14	Equivalent facilitation [ADAAG 2.2]
ILHR 69.15	Miscellaneous instructions and definitions [ADAAG 3.0]
ILHR 69.16	Applications, general exceptions [ADAAG 4.1.1 (5)]
ILHR 69.17	Accessible elements and spaces: scope and technical requirements [ADAAG 4.1.2]
ILHR 69.18	Accessible buildings: new construction [ADAAG 4.1.3]
ILHR 69.19	Accessible buildings: additions [ADAAG 4.1.5]
ILHR 69.20	Accessible buildings: alterations [ADAAG 4.1.6]
ILHR 69.21	Accessible buildings: historic [ADAAG 4.1.7]
ILHR 69.22	Wheelchair passage width [ADAAG 4.2.1]

ILHR 69.23	Accessible route [ADAAG 4.3]
ILHR 69.24	Protruding objects [ADAAG 4.4.1]
ILHR 69.25	Curb ramps [ADAAG 4.7]
ILHR 69.26	Ramps [ADAAG 4.8]
ILHR 69.27	Stairs [ADAAG 4.9]
ILHR 69.28	Platform lifts [ADAAG 4.11]
ILHR 69.29	Doors [ADAAG 4.13]
ILHR 69.30	Toilet stalls [ADAAG 4.17]
ILHR 69.32	Faucets [ADAAG 4.19.5]
ILHR 69.33	Shower spray unit in bathtubs [ADAAG 4.20.6]
ILHR 69.34	Shower stalls [ADAAG 4.21]
ILHR 69.35	Toilet rooms, clear floor space [ADAAG 4.22.3]
ILHR 69.36	Size and spacing of grab bars and handrails [ADAAG 4.26.2]
ILHR 69.37	Detectable warning on walking surfaces [ADAAG 4.29.2]
ILHR 69.39	Dressing and fitting rooms [ADAAG 4.35]
ILHR 69.40	Restaurants and cafeterias [ADAAG 5.0]
ILHR 69.41	Medical care facilities [ADAAG 6.0]
ILHR 69.42	Accessible transient lodging [ADAAG 9.0]
ILHR 69.45	General
ILHR 69.46	General
ILHR 69.47	Entrances
ILHR 69.48	Residential cells or rooms: minimum number
ILHR 69.49	Requirements for accessible residential cells or rooms
ILHR 69.50	Visual alarms and telephones
	Appendix

#### Subchapter I — Administration and Enforcement

##### Part 1 - Purpose and scope

**ILHR 69.01 Purpose.** The purpose of this chapter is to insure that any building or facility is designed, constructed, and altered to be accessible and usable by people with disabilities.

**History:** Cr. Register, November, 1994, No. 467, eff. 12-1-94.

**ILHR 69.02 Scope.** Except as specified in s. ILHR 69.04, this chapter applies to all buildings and facilities. The requirements of this chapter are not retroactive unless specifically stated in the administrative rule. Where different sections of this chapter specify different requirements, the most restrictive requirement shall govern. This chapter is not intended to prohibit or discourage the design and construction of innovative buildings or the use of new materials or systems provided written approval from the department is obtained. Under this chapter, written approval from the department shall include, but is not limited to, an acceptance through preliminary design consultation, plan review, petition for variance, official code interpretation, material approval or other forms of written communication.

**History:** Cr. Register, November, 1994, No. 467, eff. 12-1-94.

##### Part 2 - Application of code

**ILHR 69.03 Application.** (1) **NEW CONSTRUCTION AND ADDITIONS.** All new construction and additions shall comply with this chapter.

(2) **ALTERATIONS TO BUILDINGS.** Any remodeling or alterations, or both, in a building or facility which affects or could affect the usability of or access to a building or facility by a person with a disability shall comply with this chapter.

(3) **CHANGE OF USE.** (a) *Buildings covered by building codes.* Where a building or facility covered by chs. ILHR 50 to 64, 70 and 160 to 164 undergoes a change of use, the building or facility is not required to comply with the provisions of this chapter unless the building is physically remodeled or altered in accordance with ss. ILHR 69.19 and 69.20 and ADAAG 4.1.5 to 4.1.7.

(b) *Buildings not covered by building codes.* Where the use of a building or facility not covered by chs. ILHR 50 to 64, 70 and 160 to 164 is changed to a use covered under these chapters, the building or facility shall comply with the provisions of this chapter for the new use.

**History:** Cr. Register, November, 1994, No. 467, eff. 12-1-94.

**ILHR 69.04 Buildings exempt from the code requirements.** This chapter does not apply to buildings specified in s. ILHR 50.04.

**Note:** See Appendix A for a reprint of s. ILHR 50.04.

**History:** Cr. Register, November, 1994, No. 467, eff. 12-1-94.

##### Part 3 - Design and supervision

**ILHR 69.05 Design and supervision.** The design and construction supervision of a building or facility shall comply with ss. ILHR 50.07 to 50.11.

**History:** Cr. Register, November, 1994, No. 467, eff. 12-1-94.

Register, November, 1994, No. 467

*Part 4 - Departmental action*

**ILHR 69.06 Plan examination and department action.** (1) **ALL BUILDINGS.** The accessibility requirements of this chapter shall be presented as a part of the general plan submittals as required under s. ILHR 50.12 (3) (b). The requirements of ss. ILHR 50.12, 50.13 to 50.175, 50.18 (1) and 50.20 shall be complied with where applicable to the project.

(2) **ADDITIONS AND ALTERATIONS.** Plans and specifications showing compliance with this chapter and the primary path of travel to the added or altered area shall be submitted to the department or its authorized representative for department action.

History: Cr. Register, November, 1994, No. 467, eff. 12-1-94.

*Part 5 - Enforcement, appeals, petitions for variance and penalties*

**ILHR 69.07 Enforcement.** This chapter shall be enforced by the department or by municipal officials or other local officials who are required by law to enforce the administrative rules of the department. The department shall have the responsibility for interpreting the rules in this chapter, including the Americans with Disabilities Act Accessibility Guidelines (ADAAG) incorporated as department standards.

History: Cr. Register, November, 1994, No. 467, eff. 12-1-94.

**ILHR 69.08 Appeals.** Any person affected by any local order which is in conflict with a rule of the department may petition the department for a hearing on the grounds that the local order is unreasonable and in conflict with the rule of the department. The department shall review and make a determination on an appeal of a local ordinance within 60 business days of receipt of a verified petition submitted with all forms, fees, plans and documents required to complete the review.

**Note 1:** Section 101.01 (1) (g), Stats., defines "local order" as any ordinance, order, rule or determination of any common council, board of alders, board of trustees or the village board, of any village or city, or the board of health of any municipality, or an order or direction of any official of such municipality, upon any matter over which the department has jurisdiction.

**Note 2:** This chapter does not invalidate or limit the remedies, rights and procedures of federal laws, or local laws that provide greater or equal protection for the rights of individuals with disabilities or individuals associated with them.

History: Cr. Register, November, 1994, No. 467, eff. 12-1-94.

**ILHR 69.09 Penalties.** Penalties for violations to this chapter shall be assessed in accordance with s. 101.02 (13) (a), Stats.

**Note 1:** Section 101.02 (13) (a), Stats., indicates penalties will be assessed against any employer, employe, owner or other person who fails or refuses to perform any duty lawfully enjoined, within the time prescribed by the department, for which no penalty has been specifically provided, or who fails, neglects or refuses to comply with any lawful order made by the department, or any judgment or decree made by any court in connection with ss. 101.01 to 101.25, Stats. For each such violation, failure or refusal, such employe, owner or other person must forfeit and pay into the state treasury a sum not less than \$10 nor more than \$100 for each violation.

**Note 2:** Section 101.02 (12), Stats., indicates that every day during which any person, persons, corporation or any officer, agent or employe thereof, fails to observe and comply with an order of the department will constitute a separate and distinct violation of such order.

History: Cr. Register, November, 1994, No. 467, eff. 12-1-94.

Register, November, 1994, No. 467

**ILHR 69.10 Petitions for variance.** (1) **PROCEDURE.** The department shall consider and may grant a variance to an administrative rule under this chapter upon receipt of a fee, a completed petition for variance form from the owner, and a position statement from the fire department and the certified municipality having responsibility and an interest in the rule, provided an equivalency is established in the petition for variance which meets the intent of the rule being petitioned. The department may impose specific conditions in a petition for variance to promote the protection of the health, safety or welfare of the employes or the public. Violation of those conditions under which the petition is granted constitutes a violation of these rules.

(2) **PETITION PROCESSING TIME.** Except for priority petitions, the department shall review and make a determination on a petition for variance within 30 business days of receipt of all calculations, documents and fees required to complete the review. The department shall process priority petitions within 10 business days.

**Note:** See Appendix A for an example of the petition for variance form SBD-9890.

(3) **DISPROPORTIONALITY IN ALTERED BUILDINGS.** When providing a path of travel to an altered area is considered disproportionate, a petition for variance shall be submitted determining the disproportionate cost in accordance with the following:

(a) *Disproportional cost.* 1. Alterations made to provide an accessible path of travel to the altered area shall be deemed disproportionate to the overall alteration when the cost exceeds 20% of the cost of the alteration to the primary function area.

2. Costs that may be counted as expenditures required to provide an accessible path of travel may include:

a. Costs associated with providing an accessible entrance and an accessible route to the altered area;

b. Costs associated with making toilet rooms accessible, such as installing grab bars, enlarging toilet stalls, insulating pipes or installing accessible faucet controls;

c. Costs associated with providing accessible telephones, such as relocating the telephone to an accessible height, installing amplification devices or installing a telecommunications device for deaf persons (TDD);

d. Costs associated with relocating an inaccessible drinking fountain.

(b) *Duty to provide accessible features in the event of disproportionality.* 1. When the cost of alterations necessary to make the path of travel to the altered area fully accessible is disproportionate to the cost of the overall alteration, the path of travel shall be made accessible to the extent that it can be made accessible without incurring disproportionate costs.

2. In choosing which accessible elements to provide, priority shall be given to those elements that will provide the greatest access, in the following order:

a. An accessible entrance;

b. An accessible route to the altered area;

c. At least one accessible toilet room for each sex or a single unisex toilet;

d. Accessible telephones;

e. Accessible drinking fountains; and

f. Accessible elements such as parking, storage and alarms.

(c) *Series of alterations.* 1. The obligation to provide an accessible path of travel may not be evaded by performing a series of alterations to the area served by a single path of travel if those alterations could have been performed as a single undertaking.

2. If an area containing a primary function has been altered without providing an accessible path of travel to that area and subsequent alterations of that area, or a different area on the same path of travel, are undertaken within the three years of the original alteration after the effective date of this rule, the total cost of alterations to the primary function areas on that path of travel during the preceding three year period shall be considered in determining whether the cost of making that path of travel accessible is disproportionate.

3. Only alterations undertaken after December 1, 1994, shall be considered in determining if the cost of providing an accessible path of travel is disproportionate to the overall cost of the alterations.

History: Cr. Register, November, 1994, No. 467, eff. 12-1-94.

## Subchapter II — Standards for New Construction, Additions And Alterations

### Part 1 - ADAAG standards

**ILHR 69.11 Standards for new construction, additions and alterations.** (1) **ADAAG STANDARDS.** Any new construction, addition and alteration subject to this chapter shall comply with the Americans with Disabilities Act Accessibility Guidelines (ADAAG), as printed in Part III of the July 26, 1991 Federal Register and in the September 6, 1991 Federal Register and as corrected in the January 14, 1992 Federal Register, subject to the changes, additions and omissions specified in ss. ILHR 69.12 to 69.50.

Note 1: A reprint of the ADAAG standards is included in Appendix B.

Note 2: The federal Americans with Disabilities Act (ADA) is a federal law applying to public accommodations and public entities. The ADA law does not preempt the state building code requirements, so an owner is responsible for compliance with the most restrictive requirements from both the federal and state regulations.

Note 3: Copies of the complete ADA law, preamble and ADAAG standards can be obtained from the Great Lakes Disability and Business Technical Assistance Center, University of Illinois, 1640 West Roosevelt Road, Chicago, Illinois 60608, or New Orders, Superintendent of Documents, P.O. Box 371954, Pittsburgh, Pennsylvania 15250-7954.

(2) **ENFORCEMENT AND APPLICATION.** The ADAAG standards as reprinted in appendix B of this chapter shall be enforced by this department or its authorized agents. Any changes to the federal ADAAG standards shall not affect the requirements in this chapter until such time as this chapter is correspondingly revised to adopt those changes.

History: Cr. Register, November, 1994, No. 467, eff. 12-1-94.

### Part 2 - Changes or additions to or omissions from the ADAAG standards

**ILHR 69.12 Changes or additions to or omissions from the ADAAG.** Changes or additions to or omissions from the ADAAG standards are specified in this chapter and are rules of the department and are not requirements of the ADAAG standards.

Note: The referenced ADAAG section or rule number, located in the brackets, follows the ILHR designation and precedes the text of the rule.

History: Cr. Register, November, 1994, No. 467, eff. 12-1-94.

#### Subpart 1 - Purpose

**ILHR 69.13 Purpose.** [ADAAG 1.0] Substitute the following wording for the first paragraph of ADAAG 1.0: This chapter sets minimum standards for accessibility to a building or facility by an individual with a disability. The requirements of this chapter are to be applied during the design, construction, alteration and occupancy of such a building or facility.

History: Cr. Register, November, 1994, No. 467, eff. 12-1-94.

#### Subpart 2 - General

**ILHR 69.14 Equivalent facilitation.** [ADAAG 2.2] Substitute the following wording for ADAAG 2.2: Departures from particular technical and scoping requirements of this chapter by the use of other designs and technologies are permitted where the alternative designs and technologies used will provide substantially equivalent or greater access to and usability of the building or facility. A petition for variance shall be submitted in accordance with s. ILHR 69.10 for alternative designs and technologies.

History: Cr. Register, November, 1994, No. 467, eff. 12-1-94.

#### Subpart 3 - Miscellaneous instructions and definitions.

**ILHR 69.15 Miscellaneous instructions and definitions.** [ADAAG 3.0] For the purposes of this chapter the following words and terms are defined as:

(1) **DEFINITIONS.** [ADAAG 3.5] Substitute the following definitions for these definitions found in ADAAG 3.5:

(a) "Access or accessible" means the physical characteristics of a place which allow persons with a functional limitation caused by impairments of sight, hearing, coordination or perception or persons with semiambulatory or nonambulatory disabilities to enter, circulate within and leave a place of employment or public building and to use the public toilet facilities and passenger elevators in the place of employment or public building without assistance.

(b) "Alteration" means a change to a building or facility that affects or could affect the usability of a building or facility or part thereof. An alteration includes, but is not limited to, remodeling, renovation, rehabilitation, reconstruction, historic restoration, changes or rearrangement of the structural parts or elements, and a change or rearrangement in the plan configuration of walls and fixed partitions. Normal maintenance, reroofing, painting or wallpapering, or changes to mechanical and electrical systems are not alterations unless they affect the usability of the building or facility.

## ILHR 69.15

(c) "Building" means any structure intended for supporting or sheltering any use or occupancy, including a public building, place of employment, public accommodation, commercial facility, public entity, private entity, private club and a religious organization.

(d) "Facility" means any portion of a building, structure, site improvement, complex, walk, passageway, or parking lot located on a site.

(2) DEFINITIONS. [ADAAG 3.5] These are department definitions in addition to the requirements of ADAAG 3.5:

(a) "Appropriate local authority" means the department of industry, labor and human relations or its authorized representative.

(b) "Complying or complies with local requirements" means conforming with any administrative code enforced by this department.

(c) "Disability" means a physical or mental impairment that substantially limits one or more major life activities, a record of having such an impairment or being regarded as having such an impairment.

(d) "Fixed partition" means any equipment or divider which serves the same purpose as a full or partial height wall and requiring tools to assemble or disassemble.

(e) "Handgrip portion" means the grasping surface of a handrail to the point where the thumb and fingers curl around and under the rail.

(f) "Path of travel" includes a continuous unobstructed way of pedestrian passage by means of which the altered area may be approached, entered and exited and which connects the altered area with an exterior approach such as sidewalks, streets and parking areas, an entrance to the building or facility and other parts of the building or facility.

(g) "Place of employment" has the meaning given in s. 101.01 (2) (f), Stats.

Note: Section 101.01 (2) (f), Stats., reads "Place of employment" includes every place, whether indoors or out or underground and the premises appurtenant thereto where either temporarily or permanently any industry, trade or business is carried on, or where any process or operation, directly or indirectly related to any industry, trade or business, is carried on, and where any person is, directly or indirectly, employed by another for direct or indirect gain or profit, but does not include any place where persons are employed in a private domestic service which does not involve the use of mechanical power or in farming. "Farming" includes those activities specified in s. 102.04 (3), and also includes the transportation of farm products, supplies or equipment directly to the farm by the operator of said farm or employes for use thereon, if such activities are directly or indirectly for the purpose of producing commodities for market, or as an accessory to such production. When used with relation to building codes, "place of employment" does not include an adult family home certified under s. 50.032 (1) (b) or, except for the purposes of s. 101.11, a previously constructed building used as a community-based residential facility, as defined in s. 50.01 (1g), which serves 20 or fewer unrelated residents.

(h) "Primary function" means a major activity for which a building or facility is intended. Areas that contain a primary function include, but are not limited to, the customer service lobby of a bank, the dining area of a cafeteria, the meeting rooms in a conference center, as well as offices and other work areas in which the activities of the building or facility are carried out. Mechanical rooms, boiler rooms, supply storage rooms, employe lounges or locker rooms, janitorial closets, entrances, corridors and toilet rooms are not areas containing a primary function.

Register, November, 1994, No. 467

(i) "Professional office of a health care provider" means a location where a person or entity regulated by a State to provide professional services related to the physical or mental health of an individual makes such services available to the public.

(j) "Public building" has the meaning given in s. 101.01 (2) (g), Stats.

Note: Section 101.01 (2) (g), Stats., reads "Public building" means any structure, including exterior parts of such building, such as a porch, exterior platform or steps providing means of ingress or egress, used in whole or in part as place of resort, assemblage, lodging, trade, traffic, occupancy, or use by the public or by 3 or more tenants. When used in relation to building codes, "public building" does not include a previously constructed building used as a community-based residential facility as defined in s. 50.01 (1g) which serves 20 or fewer unrelated residents or an adult family home certified under s. 50.032 (1) (b).

(k) "Remodeling" means to substantially improve, alter, extend or otherwise change the structure of a building or change the location of exits, but shall not include maintenance, redecoration, reroofing or alteration of mechanical or electrical systems.

(l) "Shopping center or shopping mall" means a building or facility containing 5 or more tenant spaces where at least one space is occupied by a sales or rental establishment. Shopping center or shopping mall includes a building or a series of buildings on a common site, either under common ownership or common control or developed either as one project or as a series of related projects, containing sales or rental establishments. Sales and rental establishments include areas such as bakeries, grocery stores, clothing stores, and hardware stores.

(m) "Specified public transportation" means transportation by bus, rail, or any other conveyance, other than by aircraft, that provides the general public with general or special service, including charter service, on a regular and continuing basis.

History: Cr. Register, November, 1994, No. 467, eff. 12-1-94.

*Subpart 4 - Accessible elements and spaces: scope and technical requirements*

ILHR 69.16 Applications, general exceptions. [ADAAG 4.1.1 (5)] Substitute the following wording for ADAAG 4.1.1 (5) (a): Variances from the requirements of this chapter may be permitted only through the petition for variance procedures as specified in s. ILHR 69.10.

History: Cr. Register, November, 1994, No. 467, eff. 12-1-94.

ILHR 69.17 Accessible elements and spaces: scope and technical requirements. [ADAAG 4.1.2] (1) PARKING. [ADAAG 4.1.2 (5)] (a) *General parking.* [ADAAG 4.1.2 (5)] This is a department rule in addition to the requirements of ADAAG 4.1.2 (5): A vehicle may be parked backwards in an accessible parking space.

Note: Backing into parking spaces accommodates a person transferring from a vehicle by either the passenger or driver side of the vehicle.

(b) *Access aisle.* [ADAAG 4.1.2 (5) (a) and (b)] This is a department rule in addition to the requirements of ADAAG 4.1.2 (5) (a) and (b): An access aisle adjacent to an accessible parking space may be identified by a sign or by cross-hatch painting as shown in the ADAAG standards, Appendix A4.6.3, Figure A5. Complete painting of the access aisle and parking space is prohibited.

(c) *Valet parking.* [ADAAG 4.1.2 (5) (e)] Substitute the following wording for ADAAG 4.1.2 (5) (e): Valet parking: Where valet parking is offered at a building or facility, the valet parking facility shall be designed in accordance with the following:

1. At least one passenger loading zone complying with ADAAG 4.6.6 shall be located on an accessible route to an accessible entrance of a building or facility.

2. Accessible valet parking spaces shall be provided at the rate of 2% of the total number of spaces with a minimum of one. The accessible valet parking spaces shall be located on an accessible route to an accessible entrance to a building or facility.

3. At least one space shall be van accessible as specified in ADAAG 4.1.2 (5) (b).

4. An accessible parking space shall be designated in accordance with sub. (2).

(2) **SIGNAGE.** [ADAAG 4.1.2 (7)] Substitute the following wording for ADAAG 4.1.2 (7):

(a) *Building signage.* Signs which designate permanent rooms and spaces shall comply with ADAAG 4.30.1, 4.30.4, 4.30.5 and 4.30.6. Other signs which provide direction to, or information about, functional spaces of the building shall comply with ADAAG 4.30.1, 4.30.2, 4.30.3 and 4.30.5. Elements and spaces of accessible facilities which shall be identified by the International Symbol of Accessibility and which shall comply with ADAAG 4.30.7 are:

1. Accessible passenger loading zones;
2. Accessible entrances when not all are accessible. Inaccessible entrances shall have directional signage to indicate the route to the nearest accessible entrance;
3. Accessible toilet and bathing facilities when not all are accessible.

(b) *Parking signage.* Accessible parking spaces designated as reserved for individuals with disabilities shall comply with s. Trans 200.07.

Note: See Appendix A for a reprint of s. Trans 200.07.

History: Cr. Register, November, 1994, No. 467, eff. 12-1-94.

**ILHR 69.18 Accessible buildings: new construction.** [ADAAG 4.1.3] (1) **STAIRWAYS.** [ADAAG 4.1.3 (4)] Substitute the following wording for ADAAG 4.1.3 (4): Interior and exterior stairs shall comply with ADAAG 4.9.

(2) **ACCESS TO AND VERTICAL CIRCULATION IN BUILDINGS AND FACILITIES.** [ADAAG 4.1.3 (5)] These are department rules in addition to ADAAG 4.1.3 (5), intro. paragraph:

(a) *Access to a primary floor.* A building or facility that has a total gross area of 20,000 square feet or less and has less than 3 stories shall provide access to at least one floor complying with the following:

1. The accessible entrances shall provide access to a floor of a building or facility where the principal duties or functions of the building or facility are carried out for the benefit of the employees or patrons, or both. Floors containing only mechanical rooms, boiler rooms, supply storage

rooms, or janitorial closets shall not be considered a floor where the principal duties or functions are carried out.

2. An accessible route shall be provided throughout the accessible floor level.

3. Access is required to any raised or depressed area that serves the accessible level and contains toilet rooms, lunch rooms, change rooms, locker rooms or similar facilities provided for the employees.

Note 1: When an existing building is remodeled or altered, an elevator may be required to provide access to all floor levels. It is recommended that the owner of a building or facility consider how a building could be modified for the future installation of an elevator complying with ADAAG 4.10. It is suggested that a vertical shaft be provided for the future installation of an elevator.

Note 2: The definitions of "story" and "mezzanine" as used in ADAAG differ from the definitions of these terms used in chs. ILHR 50 to 64.

(b) *Access to all floor levels.* 1. 'Buildings with a total gross area greater than 20,000 square feet.' a. Except as specified in subpar. b., at least one passenger elevator complying with ADAAG 4.10 shall serve each level, including mezzanines, in multilevel buildings or facilities that have a total gross area greater than 20,000 square feet. Access is required to any floor level that contains toilet rooms, lunch rooms, change rooms, locker rooms or similar facilities provided for the employees.

b. Access is not required to mezzanines that contain duplicate facilities to those contained on the accessible level.

2. 'Buildings or facilities, regardless of the size of the buildings or facilities.' At least one passenger elevator complying with ADAAG 4.10 shall serve each level, including mezzanines, in buildings or facilities, regardless of the size of the buildings or facilities that contain the following occupancies:

a. Except as specified in s. ILHR 69.49 (2), government-owned or operated facilities.

b. Terminals, airport passenger terminals, depots or other stations used for specified public transportation. In such buildings or facilities, any area containing passenger services, including boarding and debarking, loading and unloading, baggage claim, dining facilities and other common areas open to the public shall be on an accessible route from an accessible entrance.

Note: The definitions of "story" and "mezzanine" as used in ADAAG differ from the definitions of these terms used in chs. ILHR 50 to 64.

(4) **TOILET FACILITIES.** [ADAAG 4.1.3 (11)] These are department rules in addition to the requirements of ADAAG 4.1.3 (11):

(a) Other adaptable toilet rooms provided for the use of occupants of specific spaces such as, but not limited to, a private toilet room for the occupant of a private office shall be sized in accordance with ADAAG 4.22 and shall be provided with solid blocking in the walls for the later installation of grab bars.

(b) At least one unisex toilet room located near the general public toilet rooms shall be provided in addition to the required number of sanitary fixtures specified in chs. ILHR 50 to 64 for the following type buildings:

1. All shopping malls or shopping centers;

## ILHR 69.18

2. Rest area buildings located off of major highways;
3. Schools;
4. Restaurants with a capacity of 100 or more people; or
5. Large assembly areas such as, but not limited to, stadiums and outdoor or indoor theaters with a capacity of more than 100 persons.

History: Cr. Register, November, 1994, No. 467, eff. 12-1-94.

**ILHR 69.19 Accessible building: additions. [ADAAG 4.1.5]** These are department rules in addition to the requirements of ADAAG 4.1.5:

(1) **ADDITIONS TO EXISTING BUILDINGS.** If an existing building is added to and the area of the addition is greater than 50% of the total interior square footage of the existing building, the entire building shall comply with ADAAG 4.1.1 to 4.1.3 and this subchapter relative to entrances, toilets, interior circulation, telephones, drinking facilities and any applicable specifications from the special applications sections, ADAAG 5 to 10.

(2) **PERCENTAGES CUMULATIVE.** The percentages of additions or alterations to an existing building shall apply to the cumulative sum of any additions or alterations, or both, undertaken after December 1, 1994.

(3) **BARRIER-FREE EVALUATION.** When building addition plans are submitted to the department for review, an evaluation of the entire building shall be submitted identifying the accessibility problems in the building or facility and the potential solutions.

Note: The "Checklist for Existing Facilities" available from the University of Illinois at Chicago, 1640 West Roosevelt Road, Chicago, Illinois 60608-6902 may be used to evaluate existing buildings to identify the accessibility problems and solutions.

History: Cr. Register, November, 1994, No. 467, eff. 12-1-94.

**ILHR 69.20 Accessible buildings: alterations. [ADAAG 4.1.6] (1) GENERAL. [ADAAG 4.1.6 (1)]** (a) *Barrier-free evaluation. [ADAAG 4.1.6. (1)]* These are department rules in addition to the requirements of ADAAG 4.1.6 (1):

1. When building alteration plans are submitted to the department for review, an evaluation of the entire building shall be submitted identifying the accessibility problems in the building or facility and the potential solutions.

Note: The "Checklist for Existing Facilities" available from the University of Illinois at Chicago, 1640 West Roosevelt Road, Chicago, Illinois 60608-6902 may be used to evaluate existing buildings to identify the accessibility problems and solutions.

2. If more than 50% of the interior square footage of a building is remodeled or altered, the entire building shall comply with ADAAG 4.1.1 to 4.1.3 and this subchapter relative to entrances, toilets, interior circulation, telephones, drinking facilities and any applicable specifications from the special applications sections, ADAAG 5 to 10.

3. The percentages of alterations or additions to an existing building shall apply to the cumulative sum of any alterations or additions, or both, undertaken after December 1, 1994.

Register, November, 1994, No. 467

(b) *Exception. [ADAAG 4.1.6 (1) (j)]* These are department rules in addition to the requirements of ADAAG 4.1.6 (1) (j):

1. Except as specified in subd. 3., the petition for variance procedures specified in s. ILHR 69.10 (1) and (2) shall be used when full compliance with the accessibility requirements specified in ADAAG 4.1.1 to 4.1.3 is considered technically infeasible.

2. One petition for variance may be used to consider more than one item that is considered technically infeasible.

3. Government buildings shall comply fully with the accessibility requirements in ADAAG 4.1.1 to 4.1.3.

(c) *Exception. [ADAAG 4.1.6 (1) (k)]* Substitute the following wording for ADAAG 4.1.6 (1) (k) (i): Access to and vertical circulation in an existing building or facility shall comply with s. ILHR 69.18.

(2) **ALTERATIONS TO AN AREA CONTAINING A PRIMARY FUNCTION. [ADAAG 4.1.6 (2)]** These are department rules in addition to the requirements of ADAAG 4.1.6 (2):

(a) *Disproportionality.* Except as specified in par. (b), when the path of travel to an altered area is considered disproportionate to the overall alterations in terms of cost and scope, a petition for variance as specified in s. ILHR 69.10 (3) shall be submitted justifying the disproportionality.

(b) *Percent of remodeling.* 1. 'More than 50%'. Disproportionality shall not apply when more than 50% of the total interior square footage of a building or facility is remodeled or altered. If more than 50% of the total interior square footage of a building or facility is remodeled or altered, the entire building or facility shall comply with ADAAG 4.1.1 to 4.1.3 and this subchapter relative to entrances, toilets, interior circulation, telephones and drinking facilities, unless the overall alteration is technically infeasible.

2. The percentage of remodeling or altering to a building or facility shall be accumulative from December 1, 1994.

Note: The remodeling percentages are established in s. 101.13 (6), Stats.

(3) **SPECIAL TECHNICAL PROVISIONS FOR ALTERATION TO EXISTING BUILDINGS AND FACILITIES. [ADAAG 4.1.6 (3)]** (a) *Elevators. [ADAAG 4.1.6 (3) (c)]* Substitute the following wording for ADAAG 4.1.6 (3) (c): If safety door edges are provided in existing automatic elevators, automatic door reopening devices shall be provided and shall comply with ch. ILHR 18.83.

(b) *Toilet rooms. [ADAAG 4.1.6 (3) (e)]* This is a department rule in addition to ADAAG 4.1.6 (3) (e) (i): A unisex toilet room shall be designed in accordance with s. ILHR 69.35 (1).

(c) *Platform lifts. [ADAAG 4.1.6 (3) (g)]* Substitute the following wording for the requirements of ADAAG 4.1.6 (3) (g):

1. 'Limited-use elevators and vertical and inclined wheelchair lifts'. In alterations, limited-use elevators or vertical or inclined wheelchair lifts complying with ch. ILHR 18 and this section may be used as part of an acces-

sible route. The methods of vertical circulation shall be located along a designated public passageway and shall not pass through an occupied space such as, but not limited to, a classroom or conference room. The use of a limited-use elevator or a vertical or inclined wheelchair lift is not limited to the four conditions in ADAAG 4.1.3 (5), Exception 4.

Note: A limited-use elevator as used in this chapter does not qualify as a full passenger elevator complying with ADAAG 4.10 or the ASME A17.1 Elevator Code, but it exceeds the requirements of a vertical or inclined wheelchair lift. A limited-use elevator may be used in lieu of a vertical or inclined wheelchair lift.

2. 'Stairway chairlifts'. A stairway chairlift complying with ch. ILHR 18 is prohibited for public use in buildings or facilities, except where the stairway chairlift is used in an existing place of worship to provide access between floor levels that is not required by s. ILHR 69.18.

History: Cr. Register, November, 1994, No. 467, eff. 12-1-94.

**ILHR 69.21 Accessible buildings: historic.** [ADAAG 4.1.7] Substitute the following wording for ADAAG 4.1.7: A qualified historic building shall comply with ch. ILHR 70, Historic Building Code.

History: Cr. Register, November, 1994, No. 467, eff. 12-1-94.

**ILHR 69.22 Wheelchair passage width.** [ADAAG 4.2.1] This is a department rule in addition to the requirements of ADAAG 4.2.1: The width of an exit passageway shall comply with the applicable occupancy requirements in chs. ILHR 50 to 64.

History: Cr. Register, November, 1994, No. 467, eff. 12-1-94.

**ILHR 69.23 Accessible route.** [ADAAG 4.3] (1) WIDTH. [ADAAG 4.3.3] This is a department rule in addition to the requirements of ADAAG 4.3.3: Figures 7 (a) and 7 (b) shall not apply to ramp designs.

(2) SLOPE. [ADAAG 4.3.7] This is a department rule in addition to the requirements of ADAAG 4.3.7: Handrails, curbs or other forms of protection shall be provided on the sides of an accessible route where the adjacent terrain exceeds a 25%, 1:4, downward slope away from the accessible route.

(3) LOCATION AND CONSTRUCTION. [ADAAG 4.3.11.1] Substitute the following wording for ADAAG 4.3.11.1: An area of rescue assistance shall be one of the following:

(a) A portion of a balcony to or a stairway landing within a smokeproof stair tower meeting the fire-rated enclosure requirements as specified in s. ILHR 51.17;

(b) A portion of a landing of an exterior exit stairway. Any opening to the interior of the building located within 20 feet of the area of rescue assistance shall be protected with a fire door or window assembly having a 3/4-hour fire protection rating;

(c) A portion of a corridor meeting the fire-rated enclosure requirements as specified in Table 51.03-A. The area of rescue assistance shall be immediately adjacent to a stairway enclosure meeting the fire-rated construction as specified in s. ILHR 51.02 (11);

(d) A vestibule located immediately adjacent to an exit enclosure and constructed to the same fire-resistive standards as required for corridors and openings;

(e) A portion of a landing within a stairway enclosure which is vented to the exterior and is separated from the interior of the building with fire-rated construction as specified in s. ILHR 51.02 (11);

(f) A smoke-barrier provided in a health care facility as specified in ch. ILHR 58, subchapter I; or

(g) A horizontal exit as specified in s. ILHR 51.19.

Note: See Appendix A for examples of areas of rescue.

History: Cr. Register, November, 1994, No. 467, eff. 12-1-94.

**ILHR 69.24 Protruding objects.** [ADAAG 4.4.1] (1) GENERAL, OBJECTS AT CORNER. These are department rules in addition to ADAAG 4.4.1: A protruding object such as, but not limited to, a telephone, water cooler, or planter shall be installed not less than 36 inches from any corridor wall corners.

(2) GENERAL, CLEAR WIDTH. Substitute the following wording for the last sentence of ADAAG 4.4.1: A protruding object shall not reduce the clear width of an accessible route, maneuvering space or the required exit width as specified in chs. ILHR 50 to 64.

History: Cr. Register, November, 1994, No. 467, eff. 12-1-94.

**ILHR 69.25 Curb ramps.** [ADAAG 4.7] (1) WIDTH. [ADAAG 4.7.3] Substitute the following wording for ADAAG 4.7.3: The minimum width of a curb ramp shall be 40 inches, exclusive of flared sides.

(2) SURFACE. [ADAAG 4.7.4] Substitute the following wording for ADAAG 4.7.4: The surface of a curb ramp, excluding the flared sides, shall comply with ADAAG 4.5 and s. ILHR 69.37.

History: Cr. Register, November, 1994, No. 467, eff. 12-1-94.

**ILHR 69.26 Ramps.** [ADAAG 4.8] (1) CLEAR WIDTH. [ADAAG 4.8.3] Substitute the following wording for ADAAG 4.8.3:

(a) *Exterior ramps.* The minimum clear width of a ramp shall be 40 inches, measured between the handrails.

(b) *Interior ramps.* The minimum clear width of an interior ramp shall be 36 inches, measured between the handrails.

(2) LANDINGS. [ADAAG 4.8.4] This is a department rule in addition to the requirements of ADAAG 4.8.4: Guardrails at least 42 inches in height shall be provided on the open sides of ramp landings more than 24 inches above grade and on the open side of elevated platforms, landings, walks, balconies and mezzanines which are more than 24 inches in height. Guardrails shall have rails or an ornamental pattern designed to prevent the passage of an object with a diameter larger than 6 inches. Open risers are not permitted.

History: Cr. Register, November, 1994, No. 467, eff. 12-1-94.

**ILHR 69.27 Stairs.** [ADAAG 4.9] (1) RISER AND TREAD. [ADAAG 4.9.2] This is a department rule in addition to the requirements of ADAAG 4.9.2: On any given flight of stairs, all steps shall have uniform riser heights and uniform tread widths. Maximum riser height shall be 7 inches and the minimum riser height shall be 4 inches. Minimum tread depth shall be 11 inches measured horizontally between the vertical planes of the foremost pro-

## ILHR 69.27

jection of adjacent treads and at a right angle to the tread's leading edge. Open risers are not permitted.

(2) **HANDRAILS.** [ADAAG 4.9.4] This is a department rule in addition to the requirements of ADAAG 4.9.4: Guardrails at least 42 inches in height shall be provided on the open sides of stair landings more than 24 inches above grade and on the open side of elevated platforms, landings, walks, balconies and mezzanines which are more than 24 inches in height. Guardrails shall have rails or an ornamental pattern designed to prevent the passage of an object with a diameter larger than 6 inches.

**History:** Cr. Register, November, 1994, No. 467, eff. 12-1-94.

**ILHR 69.28 Platform lifts.** [ADAAG 4.11] Substitute the following wording for ADAAG 4.11.1 and 4.11.2: (1) **GENERAL REQUIREMENTS.** Limited-use elevators, vertical or inclined wheelchair lifts or stairway chairlifts used as a part of an accessible route as specified in s. ILHR 69.20 (3) (c) shall comply with this section.

(2) **INFORMATION REQUIRED ON PLANS.** The following information shall be included as a part of the information required with the building plan submittals as specified under s. ILHR 50.12 (4):

(a) *Limited-use elevators.* Where a limited-use elevator is installed in a building or facility, the limited-use elevator shall comply with ch. ILHR 18 and the following:

1. The total travel distance shall be less than 25 feet;
2. The minimum platform size shall be 36 inches in width by 54 inches in length. The minimum shaft size shall be 5'-8" in width by 5'-8" in length.

**Note:** See Appendix A for an example of the platform and shaft size.

(b) *Vertical wheelchair lifts.* Where a vertical wheelchair lift is installed in a building or facility, the vertical wheelchair lift shall comply with ch. ILHR 18 and the following:

1. The total vertical travel distance shall not exceed 12 feet.
2. The number of landings served by the lift shall not exceed three.

**Note:** See Appendix A for examples of 2 and 3-stop wheelchair lifts.

3. The net platform area shall not exceed 18 square feet with a minimum clear width of 32 inches and a minimum clear length of 54 inches. The minimum shaft size shall be 4'-3" in width by 5'-0" in length.

**Note:** See Appendix A for an example of the platform and shaft size.

4. The entrance door to the vertical shaft shall provide a minimum clear opening of at least 32 inches. The door to the vertical shaft shall not infringe into the required exit width for the building occupancy.

5. The lift may penetrate one floor, if the lift is enclosed in a vertical shaft and the shaft is continuous from the lowest landing to a minimum height of 42 inches above the highest floor level. The vertical shaft shall be designed and constructed as specified in chs. ILHR 50 to 64.

(c) *Inclined wheelchair lift.* Where a vertical or inclined wheelchair lift is installed in a building or facility, the

Register, November, 1994, No. 467

wheelchair lift shall comply with ch. ILHR 18 and the following:

1. An inclined wheelchair lift may serve only two consecutive floor levels.

2. The net platform area shall not exceed 18 square feet with a minimum clear width of 32 inches and a minimum clear length of 54 inches.

3. An inclined wheelchair lift, in its operational position, shall not infringe into the required exit width for the stairway.

**Note:** See Appendix A for an example of an inclined lift installed in a required exit stairway.

(d) *Stairway chairlifts.* Stairway chairlifts installed in buildings or facilities as specified in s. ILHR 69.20 (3) shall comply with ch. ILHR 18 and the following:

1. A stairway chairlift installed in a required exit stairway shall be installed such that the required exit width as specified in chs. ILHR 50 to 64 shall be provided in addition to the space required for the stairway chairlift in its operational position. The minimum clear width shall be measured from the side of the lift, in its operational position, to the nearest edge of the opposite handrail or stringer.

**Note:** See Appendix A for an example of an inclined lift installed in a required exit stairway.

2. A stairway chairlift installed in a nonrequired exit stairway shall have not less than 24 inches of clear stairway area provided in addition to the lift in its operational position. The minimum clear width is measured from the side of the lift, in its operational position, to the nearest edge of the handrail or stringer.

**History:** Cr. Register, November, 1994, No. 467, eff. 12-1-94.

**ILHR 69.29 Doors.** [ADAAG 4.13] This is a department rule in addition to the requirements of ADAAG 4.13: Doors with a screen door or storm door shall be considered doors in series and shall comply with ADAAG 4.13.7.

**Note:** See Appendix A for examples of offset doors in series.

**History:** Cr. Register, November, 1994, No. 467, eff. 12-1-94.

**ILHR 69.30 Toilet stalls.** [ADAAG 4.17] (1) **DOORS.** [ADAAG 4.17.5] This is a department rule in addition to the requirements of ADAAG 4.17.5: A toilet stall door shall open at least 95 degrees and shall be self-closing by gravity.

(2) **SIZE AND ARRANGEMENT.** [ADAAG 4.17.3] Substitute the following wording for the exception under ADAAG 4.17.3: In instances of alteration work where a standard stall [Fig. 30 (a)] is not structurally possible or where the number of sanitary fixtures required by chs. ILHR 50 to 64 prevent combining existing stalls to provide space, the following stalls may be used in lieu of the standard stall:

(a) A toilet stall measuring 36 inches in width by 78 inches in length. The toilet stall shall have an outswinging door located at the end of the stall and the door opening shall provide a minimum of 32 inches of clear opening;

(b) A toilet stall measuring at least 36 inches in width by at least 90 inches in length. The toilet stall shall have an outswinging door located at the side of the stall and the



door opening shall provide a minimum of 36 inches of clear opening; or

(c) A toilet stall measuring at least 48 inches in width by at least 69 inches in length. The toilet stall shall have an outswinging stall door located at the end of the stall. The toilet stall door shall provide a minimum of 32 inches of clear opening. The water closet shall be offset as shown in ADAAG 4.17.33, Fig. 30 (b) the bottom diagram.

History: Cr. Register, November, 1994, No. 467, eff. 12-1-94.

**ILHR 69.32 Faucets.** [ADAAG 4.19.5] This is a department rule in addition to the requirements of ADAAG 4.19.5: A foot-controlled faucet is prohibited for use on an accessible lavatory.

History: Cr. Register, November, 1994, No. 467, eff. 12-1-94.

**ILHR 69.33 Shower spray unit in bathtubs.** [ADAAG 4.20.6] Substitute the following wording for the requirements of ADAAG 4.20.6: A shower spray unit with a hose at least 72 inches long that can be used both as fixed shower head and as a hand-held shower shall be provided.

History: Cr. Register, November, 1994, No. 467, eff. 12-1-94.

**ILHR 69.34 Shower stalls.** [ADAAG 4.21] (1) **SIZE AND CLEARANCES.** [ADAAG 4.21.2] This is a department rule in addition to the requirements of ADAAG 4.21.2: The shower stall in ADAAG Figure 35 (a) shall be 36 inches by 36 inches, measured from inside wall to inside wall.

(2) **SHOWER UNIT.** [ADAAG 4.21.6] Substitute the following wording for the requirements of ADAAG 4.21.6: A

shower spray unit with a hose a least 72 inches long that can be used both as a fixed shower head and as a hand-held shower shall be provided.

(3) **SHOWER ENCLOSURES.** [ADAAG 4.21.8] This is a department rule in addition to the requirements of ADAAG 4.21.8: A swing-door is prohibited on an accessible shower stall.

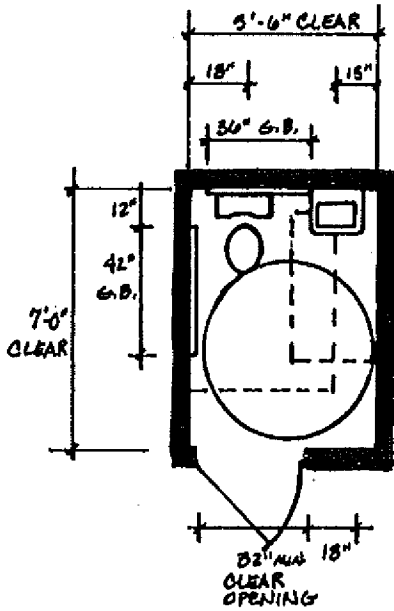
History: Cr. Register, November, 1994, No. 467, eff. 12-1-94.

**ILHR 69.35 Toilet rooms, clear floor space.** [ADAAG 4.22.3] (1) **TOILET ROOMS.** This is a department rule in addition to the requirements of ADAAG 4.22: A toilet room containing one water closet and one lavatory shall be designed to provide the minimum space requirements as shown in Figure 69.35-1 to 69.35-5 or as approved by the department.

Note: These room dimensions were derived using a lavatory with a maximum width of 19 inches. If a lavatory with a wider dimension is used, the room width would need to be increased.

(2) **CLEAR FLOOR SPACE.** This is a department rule in addition to the requirements of ADAAG 4.22.3: In a toilet room containing a tub, water closet and lavatory, the water closet shall not be placed next to the tub unless a minimum of 30 inches by 48 inches of clear floor space is provided adjacent to the tub.

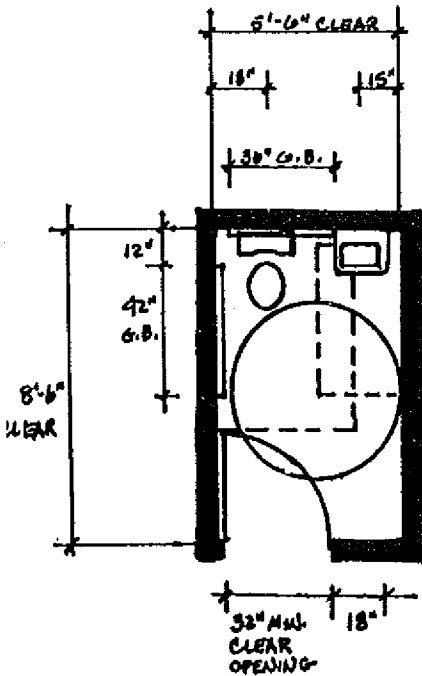
History: Cr. Register, November, 1994, No. 467, eff. 12-1-94.



**Figure 69.35-1/Toilet Room**

Clear floor space at fixtures  
48" by 66" at water closet  
30" by 48" at lavatory

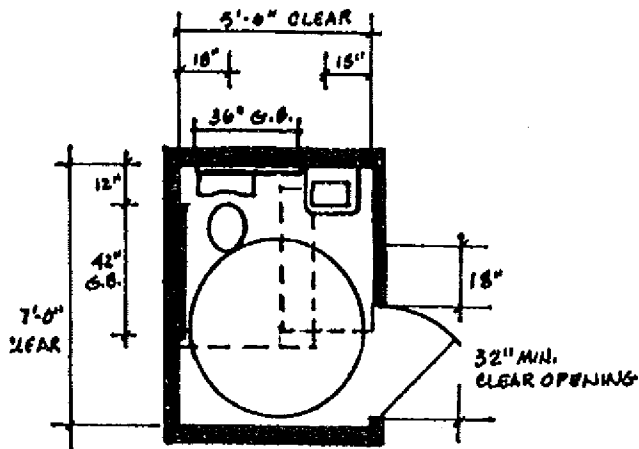
60" diameter turning space



**Figure 69.35-2/Toilet Room**

Clear floor space at fixtures  
48" by 66" at water closet  
30" by 48" at lavatory

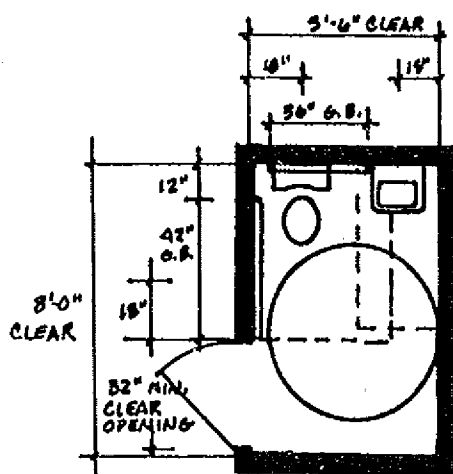
60" diameter turning space



**Figure 69.35-3/Toilet Room**

Clear floor space at fixtures  
48" by 56" at water closet  
30" by 48" at lavatory

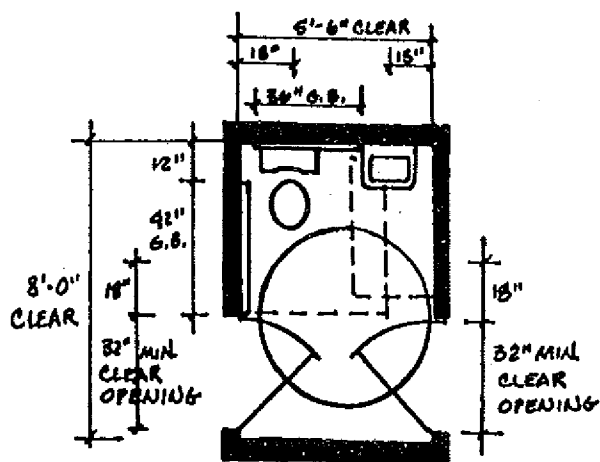
60" diameter turning space



**Figure 69.35-4/Toilet Room**

Clear floor space at fixtures  
48" by 56" at water closet  
30" by 48" at lavatory

60" diameter turning space



**Figure 69.35-5/Toilet Room**

Clear floor space at fixtures  
48" by 56" at water closet  
30" by 48" at lavatory

60" diameter turning space

ILHR 69.36

**ILHR 69.36 Size and spacing of grab bars and handrails.** [ADAAG 4.26.2] Substitute the following wording for ADAAG 4.26.2:

(1) **HANDRAIL OR GRAB BAR SIZE.** The handgrip portion of a handrail or grab bar shall have a circular cross-section with an outside diameter of not less than 1-1/4 inches but not greater than 1-1/2 inches, as shown in ADAAG Figure 39 (a), (e) or (d). Any other shape of a handrail shall provide an equivalent gripping surface. Handrails as shown in ADAAG Figure 39 (b) and (c) are not acceptable.

(2) **HANDGRIP PORTION.** The handgrip portion of a handrail shall be graspable along the entire length of the handrail.

(3) **MOUNTING ADJACENT TO WALLS.** If a handrail is mounted adjacent to the wall, the space between the wall and the handrail shall be 1-1/2 inches. A handrail may be located in a recess if the recess is a maximum of 3 inches deep and extends at least 18 inches above the top of the rail as shown in ADAAG Figure 39 (d).

History: Cr. Register, November, 1994, No. 467, eff. 12-1-94.

**ILHR 69.37 Detectable warnings on walking surfaces.** [ADAAG 4.29.2] Substitute the following wording for the requirements of ADAAG 4.29.2:

(1) **SURFACE TEXTURING.** Surface texturing shall consist of linear impressions one-fourth of an inch to three-eighths of an inch deep, oriented to provide a uniform pattern of diamond shapes. The diamond shape shall measure approximately 1-1/4 inches wide by 2-1/4 inches long, with the length of the diamond shape parallel to direction of pedestrian movement. The diamond shape shall be spaced one-fourth of an inch to three-eighths of an inch apart. This surface texture may be achieved by impressing and removing expanded metal regular industrial mesh into the surface of the ramp while the concrete is in a plastic state.

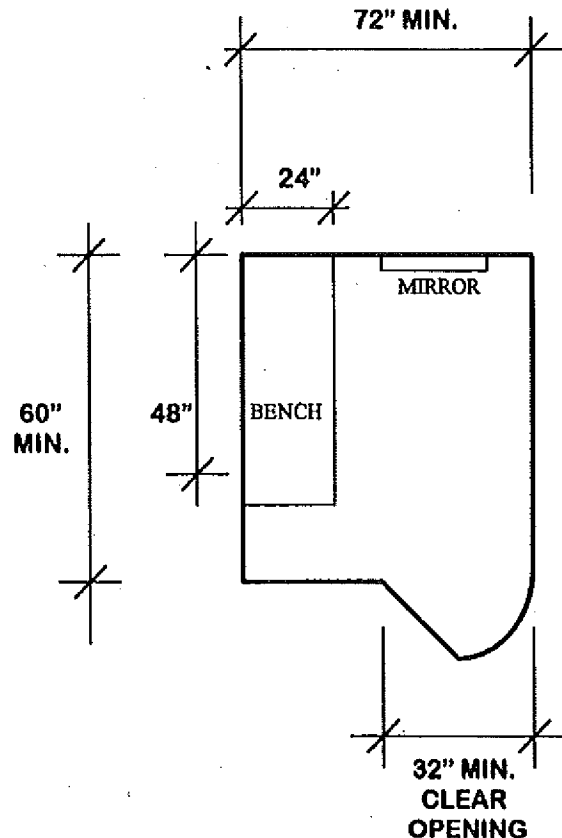
(2) **INTERIOR SURFACES.** Detectable warnings used on interior surfaces shall differ from adjoining walking surfaces in resiliency or sound-on-cane contact.

History: Cr. Register, November, 1994, No. 467, eff. 12-1-94.

**ILHR 69.39 Dressing and fitting rooms.** [ADAAG 4.35] (1) **GENERAL.** [ADAAG 4.35.1] This rule is a department rule in addition to the requirements of ADAAG 4.35.1: A dressing or fitting room shall be designed to provide the minimum space requirements as shown in Figure 69.39, or as approved by the department.

(2) **CLEAR FLOOR SPACE.** [ADAAG 4.35.2] Modify ADAAG 4.35.2 by eliminating the last sentence.

**FIGURE 69.39  
MINIMUM SIZE OF DRESSING AND FITTING  
ROOMS**



History: Cr. Register, November, 1994, No. 467, eff. 12-1-94.

#### Subpart 5 - Restaurants and cafeterias

**ILHR 69.40 Restaurants and cafeterias.** [ADAAG 5.0] (1) **GENERAL.** [ADAAG 5.1] These are department rules in addition to the requirements of ADAAG 5.1:

(a) The requirements in this section apply to taverns and any other type of eating or drinking establishments.

(b) At least 5% of all types of seating shall be accessible. The accessible seating shall be integrated throughout the seating areas and shall comply with ADAAG 4.32.

(2) **DINING AREAS.** [ADAAG 5.4] This is a department rule in addition to the requirements of ADAAG 5.4: Any area raised or depressed by not more than 3 feet from the principal floor level shall be ramped in accordance with ADAAG 4.8.

History: Cr. Register, November, 1994, No. 467, eff. 12-1-94.

#### Subpart 6 - Medical care facilities

**ILHR 69.41 Medical care facilities.** [ADAAG 6.0] Substitute the following wording for ADAAG 6.1 (1): At least 10% of patient bedrooms and toilet rooms, but not less than one

bedroom and toilet room shall be available to patients regardless of the unit of care that they are assigned to or type of treatment they are receiving, and all public use and common use areas shall be designed and constructed to be accessible.

#### *Subpart 7 - Business and mercantile*

Note: There are no changes, additions or omissions to ADAAG 7.0, Business and Mercantile.

#### *Subpart 8 - Libraries*

Note: There are no changes, additions or omissions to ADAAG 8.0, Libraries.

History: Cr. Register, November, 1994, No. 467, eff. 12-1-94.

#### *Subpart 9 - Accessible transient lodging*

**ILHR 69.42 Accessible transient lodging. [ADAAG 9.0]** Substitute the following wording for ADAAG 9.1.2: Accessible sleeping rooms or suites that comply with the requirements of ADAAG 9.2 shall be provided in conformance with Table 69.42. Accessible sleeping rooms and suites shall comply with the requirements of ADAAG 9.2. Accessible shower stalls shall comply with ADAAG 4.21 and ADAAG Figure 57 (a) or (b).

**TABLE 69.42**

Number of Rooms	Accessible Rooms	Rooms with Roll-in Showers
0 to 50	5% of total with min. of 1	
51 to 100	5% of total	1
101 to 200	5% of total	2
201 to 300	5% of total	3
301 to 400	5% of total	4
401 to 500	5% of total	4 plus 1 for each additional 100 over 400
501 and over	25 plus 1 for each 100 over 500	

#### *Subpart 10 - Transportation facilities*

Note: There are no changes, additions or omissions to ADAAG 10.0, Transportation Facilities.

History: Cr. Register, November, 1994, No. 467, eff. 12-1-94.

#### *Subpart 11 - Judicial, legislative, and regulatory facilities*

**ILHR 69.45 General.** Except as specified in s. ILHR 69.04 (10), all judicial, legislative and regulatory facilities shall comply with the applicable requirements specified in ADAAG 4.1 to 4.35. All public and common use areas shall be designed and constructed to comply with ADAAG section 4.

History: Cr. Register, November, 1994, No. 467, eff. 12-1-94.

#### *Subpart 12 - Detention and correctional facilities*

**ILHR 69.46 General.** This subpart applies to jails, holding cells in police stations, prisons, juvenile detention centers, reformatories, and other institutional occupancies where the occupants are under some degree of restraint or restriction for security reasons. Except as specified in this

subpart, detention and correctional facilities shall comply with the applicable requirements of ADAAG 4.1 through 4.35. All public and common use areas serving accessible cells or rooms are required to be designed and constructed to comply with ADAAG section 4.

History: Cr. Register, November, 1994, No. 467, eff. 12-1-94.

**ILHR 69.47 Entrances. (1) SECURED ENTRANCES.** Where provided, at least one secured entrance shall comply with ADAAG 4.14. This requirement is in addition to the entrances that are required to be accessible by ADAAG 4.1.3 (8). A secured entrance is an entrance used only by inmates or detainees and security personnel and not the general public.

**(2) SECURITY SYSTEMS.** Where security systems are provided at public entrances required to be accessible by ADAAG 4.1.3 (8), an accessible route complying with ADAAG 4.3 shall be provided through fixed security barriers. Where security barriers incorporate equipment such as metal detectors, fluoroscopes, or other similar devices which cannot be made accessible, an accessible route shall be provided adjacent to the security screening devices to facilitate an equivalent path of travel.

History: Cr. Register, November, 1994, No. 467, eff. 12-1-94.

**ILHR 69.48 Residential cells or rooms: minimum number. (1) RESIDENTIAL CELLS OR ROOMS.** At least 5% of the total number of residential cells or rooms, but not less than one of each type of cell or room, shall be accessible and comply with s. ILHR 69.49.

**(2) ALTERATIONS TO CELLS OR ROOMS.** When residential cells or rooms are being altered in an existing facility, at least 5% of the number being altered shall be made accessible until the number of accessible residential cells or rooms equals the total number of accessible residential cells or rooms required for the facility.

History: Cr. Register, November, 1994, No. 467, eff. 12-1-94.

**ILHR 69.49 Requirements for accessible residential cells or rooms. (1) GENERAL.** Cells or rooms required to [be] accessible by s. ILHR 69.48 shall comply with this section.

**(2) MINIMUM REQUIREMENTS.** An accessible residential cell or room shall be on an accessible route complying with ADAAG 4.3. Where provided, the following elements or spaces serving accessible residential cells or rooms shall be accessible and connected by an accessible route. At least one of each type of common area, amenity, space, or element provided for another residential cell or room in the same category of housing shall be accessible. Vertical circulation between residential cell rooms in detention facilities is not required if all the accessible cells are located on an accessible floor level.

**(a) Doors and doorways.** All doors and doorways on an accessible route shall comply with ADAAG 4.13.

**(b) Restrooms.** At least one toilet facility shall comply with ADAAG 4.22 and one bathing facility shall comply with ADAAG 4.23. Where privacy screens are provided, they shall not intrude on the clear floor space required for fixtures and accessible route.

**(c) Beds.** A bed shall have a minimum 36 inches of clear width maneuvering space located along one side of the bed. Where more than one bed is provided in a room or

ILHR 69.49

cell, the clear space provided at adjacent beds may overlap.

(d) *Drinking fountains and water coolers.* Where provided, there shall be a drinking fountain accessible to an individual who uses a wheelchair in accordance with ADAAG 4.15 and one drinking fountain accessible to an individual who has difficulty bending or stooping.

(e) *Fixed or built-in seating or tables.* Fixed or built-in seating or tables within, or serving, accessible cells or rooms shall comply with ADAAG 4.1.3 (18).

(f) *Fixed benches.* A fixed bench shall be a minimum of 24 inches by 48 inches and be mounted at 17 to 19 inches above the finish floor. The structural strength of the bench attachments shall comply with ADAAG 4.26.3.

(g) *Storage.* At least one of each type of fixed or built-in storage facility provided, such as a cabinet, shelf, closet, or drawer shall contain storage space complying with ADAAG 4.25. Additional storage may be provided outside of the dimensions required by ADAAG 4.25.

(h) *Controls.* Any control intended for operation by an inmate shall comply with ADAAG 4.27.

(i) *Room accommodations, hearing impaired.* Room accommodations for persons with hearing impairments shall comply with s. ILHR 69.50.

History: Cr. Register, November, 1994, No. 467, eff. 12-1-94.

**ILHR 69.50 Visual alarms and telephones. (1) GENERAL.** An auxiliary visual alarm complying with ADAAG 4.28.4 shall be provided in a residential cell or room which is served by an audible emergency warning system and which houses an inmate or detainee who is allowed an independent means of egress. A permanently installed telephone shall have a volume control complying with ADAAG 4.31.5.

**(2) EQUIVALENT FACILITATION.** For purposes of this section, equivalent facilitation shall include the installation of electrical outlets, including outlets connected to a facility's central alarm system, and telephone wiring in the cell or room to enable inmates or detainees with hearing impairments to utilize portable visual alarms and communication devices made available by the operator of the facility.

History: Cr. Register, November, 1994, No. 467, eff. 12-1-94.