

Chapter ILHR 23

HEATING, VENTILATING AND AIR CONDITIONING  
STANDARDS

Subchapter I Scope	ILHR 23.10 Piping (p. 100)
ILHR 23.01 Scope (p. 81)	Subchapter V Chimneys and Vents
Subchapter II Design	ILHR 23.11 General requirements (p. 101)
ILHR 23.02 Design (p. 81)	ILHR 23.12 Masonry chimneys (p. 101)
Subchapter III Heating Equipment	ILHR 23.13 Factory-built chimneys or vents (p. 103)
ILHR 23.03 Selection of equipment (p. 82)	ILHR 23.14 Gas vents (p. 103)
ILHR 23.04 Types of equipment (p. 82)	ILHR 23.15 Chimney connectors, smoke pipes and stovepipes (p. 103)
ILHR 23.045 Solid fuel burning appliances (p. 91)	Subchapter VI Fuel Supply Systems
ILHR 23.05 Safety controls (p. 97)	ILHR 23.16 Fuel storage (p. 105)
ILHR 23.06 Combustion air (p. 97)	Subchapter VII Equipment Location and Operation
Subchapter IV Delivery Systems	ILHR 23.17 Equipment location (p. 106)
ILHR 23.07 Air distribution systems (p. 98)	ILHR 23.18 Operation (p. 107)
ILHR 23.08 Ductwork (p. 98)	
ILHR 23.09 Dampers, registers and grilles (p. 100)	

Note: Chapter Ind 23 was renumbered to be chapter ILHR 23, Register, February, 1985, No. 350, eff. 3-1-85.

SUBCHAPTER I—SCOPE

**ILHR 23.01 Scope.** The provisions of this chapter shall apply to the design, installation and construction of all heating, ventilating and air conditioning systems in dwellings covered by this code.

History: Cr. Register, November, 1979, No. 287, eff. 6-1-80.

SUBCHAPTER II—DESIGN

**ILHR 23.02 Design.** Every dwelling shall be equipped with a heating system designed in accordance with this section. Heating equipment requirements may be waived for recreational dwellings used only during the non-heating season. Where a cooling system is provided, the cooling requirements of this section shall be met.

(1) **HEATING AND COOLING SYSTEM DESIGN.** Indoor and outdoor design temperatures shall be selected from s. ILHR 22.04. The heating and cooling systems shall be designed to maintain the indoor design temperature at outdoor design conditions. When requested, room-by-room heat loss and heat gain calculations shall be furnished.

(2) **DISTRIBUTION SYSTEMS.** Distribution systems shall be sized and located to satisfy the heating and cooling loads of each conditioned space. When requested, a layout of the distribution system shall be furnished to show that the system meets the requirements of this code.

(3) **VENTILATION.** Habitable rooms without openable windows shall be provided with a mechanical ventilation system producing one air change per hour. All required exhaust vents shall terminate outside the struc-

Register, February, 1985, No. 350  
Heating, Ventilating and Air Conditioning Standards

ILHR 23

ture. Ductless recirculating fans may be used if approved by the department.

Note: The department will accept designs which meet the Air Conditioning Contractors of America manual; the Mechanical Contractors Association manual; and the Sheet Metal and Air Conditioning Contractors National Association standards for heating and air conditioning systems for one- and 2-family dwellings.

(4) CONTROLS. The temperature rise through the equipment shall not exceed 100° F unless listed. Controls shall be provided to maintain the inside temperature. Where forced, warm-air systems are used, controls shall be installed to control air movement.

History: Cr. Register, November, 1979, No. 287, eff. 6-1-80.

SUBCHAPTER III—HEATING EQUIPMENT

ILHR 23.03 Selection of equipment. All heating and central cooling equipment shall be selected on the basis of air-handling capacity, pumping capacity, and thermal capacity to handle the calculated design heating or cooling load.

History: Cr. Register, November, 1979, No. 287, eff. 6-1-80.

ILHR 23.04 Types of equipment. Heating and cooling appliances shall be listed by a recognized testing agency. The clearances in tables 23.04-A and 23.04-B shall apply unless otherwise shown on listed appliances.

TABLE 23.04-A  
STANDARD INSTALLATION CLEARANCES (INCHES) FOR HEAT-PRODUCING APPLIANCES

Residential Type Appliances for Installation in Rooms Which are Large (See Note 2)		Appliance <sup>1</sup>				
		Above Top of Casing or Appliance	From Top and Sides of Warm- Air Bonnet or Plenum	From Front See Note 3	From Back	From Sides
Boilers and Water Heaters	Automatic Oil					
Steam Boilers - 15 psi	or	6	—	24	6	6
Water Boilers - 250° F	Comb. Gas-Oil					
Water Heaters - 200° F	Automatic Gas	6	—	18	6	6
All Water Walls	Solid	6	—	48	6	6
or Jacketed	Electric	6	—	18	6	6
Furnaces - Central	Automatic Oil					
Gravity, Upflow, Downflow,	or	6 <sup>4</sup>	6 <sup>4</sup>	24	6	6
Horizontal and Duct,	Comb. Gas-Oil					
Warm-Air - 250° F	Automatic Gas	6 <sup>4</sup>	6 <sup>4</sup>	18	6	6
	Solid	18 <sup>5</sup>	18 <sup>5</sup>	48	18	18
	Electric	6 <sup>4</sup>	6 <sup>4</sup>	18	6	6
Furnaces - Floor	Automatic Oil					
For Mounting in	or	36	—	12	12	12
Combustible Floors	Comb. Gas-Oil					
	Automatic Gas	36	—	12	12	12
	Electric	36	—	12	12	12
Heat Exchanger						
Steam - 15 psi Max.						
Hot Water - 250° F Max.	—	1	1	1	1	1
Room Heaters						
Circulating Type	Oil or Solid	36	—	24	12	12
Vented or Unvented	Gas	36	—	24	12	12
	Oil or Solid	36	—	36	36	36
Radiant or Other Type	Gas	36	—	36	18	18
Vented or Unvented	Gas with dbl metal or ceramic back	36	—	36	12	18
Radiators						
Steam or Hot Water	Gas	36	—	6	6	6

Heating, Ventilating and Air Conditioning Standards  
 Register, February, 1985, No. 350

TABLE 23.04-A (CONTINUED)

Residential Type Appliances for Installation in Rooms Which are Large (See Note 2)		Appliance <sup>1</sup>					
		Above Top of Casing or Appliance	From Top and Sides of Warm- Air Bonnet or Plenum	From Front See Note 3	From Back	From Sides	
		See Note 6				Firing Side	Opp. Side
Ranges - Cooking Stoves Vented or Unvented	Oil	30	—	—	9	24	18
	Gas	30	—	—	6	6	6
	Solid - Clay lined firepot	30	—	—	24	24	18
	Solid - Un- lined firepot	30	—	—	36	36	18
	Electric	30	—	—	6	6	6
Clothes Dryers Listed Types	Gas	6	—	24	6	6	6
	Electric	6	—	24	0	0	0
Incinerators Residential Types	—	See Note 7 36	—	48	36	36	36

<sup>1</sup>Standard clearances may be reduced by affording protection to combustible material in accordance with Table 23.04-B.

<sup>2</sup>Rooms which are large in comparison to the size of the appliance are those having a volume equal to at least 12 times the total volume of a furnace and at least 16 times the total volume of a boiler. If the actual ceiling height of a room is greater than 8 feet, the volume of a room should be figured on the basis of a ceiling height of 8 feet.

<sup>3</sup>The minimum dimension should be that necessary for servicing the appliance including access for cleaning and normal care, tube removal, etc.

<sup>4</sup>For a listed oil, combination gas-oil, gas, or electric furnace this dimension may be 2 inches if the furnace limit control cannot be set higher than 250° F or this dimension may be one inch if the limit control cannot be set higher than 200° F.

<sup>5</sup>The dimension may be 6 inches for an automatically stoker-fired forced warm-air furnace equipped with 250° F limit control and with barometric draft control operated by draft intensity and permanently set to limit draft to a maximum intensity of 0.13 in. water gauge.

<sup>6</sup>To combustible material or metal cabinets. If the underside of such combustible material or metal cabinet is protected with asbestos millboard at least ¼-inch thick covered with sheet metal of not less than No. 28 gauge, the distance may be not less than 24 inches.

<sup>7</sup>Clearance above charging door should be not less than 48 inches.

**TABLE 23.04-B  
CLEARANCES, INCHES, WITH SPECIFIED FORMS OF PROTECTION<sup>1,2</sup>**

Type of Protection Applied to the combustible material unless otherwise specified and covering all surfaces within the distance specified as the required clearance with no protection. Thicknesses are minimum.	Where required clearance with no protection is											
	36 inches			18 inches			12 inches		9 inches		6 inches	
	Above	Sides & Rear	Chimney or Vent Con- nector	Above	Sides & Rear	Chimney or Vent Con- nector	Above	Sides & Rear	Chimney or Vent Con- nector	Above	Sides & Rear	Chimney or Vent Con- nector
(a) ¼-in. asbestos millboard spaced out 1 in. ....	30	18	30	15	9	12	9	6	6	3	2	3
(b) 0.013 in. (28 gage) sheet metal on ¼-in. asbestos millboard .....	24	18	24	12	9	12	9	6	4	3	2	2
(c) 0.013 in. (28 gage) sheet metal spaced out 1 in. ....	18	12	18	9	6	9	6	4	4	2	2	2
(d) 0.013 in. (28 gage) sheet metal on ¼-in. asbestos millboard spaced out 1 in. ....	18	12	18	9	6	9	6	4	4	2	2	2
(e) 1-½ in. asbestos cement covering on heating appliance .....	18	12	36	9	6	18	6	4	9	2	1	6
(f) ¼-in. asbestos millboard on 1 in. mineral fiber bats reinforced with wire mesh or equivalent .....	18	12	18	6	6	6	4	4	4	2	2	2
(g) 0.027 in. (22 gage) sheet metal on 1 in. mineral fiber bats reinforced with wire or equivalent .....	18	12	12	4	3	3	2	2	2	2	2	2
(h) ¼-in. asbestos millboard .....	36	36	36	18	18	18	12	12	9	4	4	4
(i) ¼-in. cellular asbestos.....	36	36	36	18	18	18	12	12	9	3	3	3

<sup>1</sup>Except for the protection described in (e), all clearances should be measured from the outer surface of the appliance to the combustible material disregarding any intervening protection applied to the combustible material.

<sup>2</sup>Asbestos millboard referred to above is a different material from asbestos cement board. It is not intended that asbestos cement board be used in complying with these requirements when asbestos millboard is specified.

(1) **FURNACES.** The input and output capacity of furnaces shall be listed on the nameplate. All nameplates shall show evidence that the equipment has been listed by a recognized testing laboratory.

(a) *Fuel supply.* Furnaces shall be fired with the fuel for which they have been approved, except as provided in (1) (d) of this section. Fuels shall be supplied to the furnace in the volume and at the pressure required on the label.

(b) *Unvented furnaces and space heaters.* The use of unvented furnaces and space heaters fueled by natural gas, kerosene, alcohol or other fuel shall be prohibited due to concerns about oxygen depletion; contamination from carbon monoxide, carbon dioxide, nitrogen dioxide, formaldehyde and other combustion related contaminants; and water vapor buildups.

(c) *Vented wall furnaces.* Vented wall furnaces shall not be equipped with duct extensions beyond the vertical and horizontal limits of the enclosure unless listed. Vented wall furnaces shall be located to prevent the restriction of air circulation by doors, projections, or other openings. Vented wall furnaces shall be provided with combustion air.

(d) *Conversion burners.* Conversion burners shall be listed by a recognized testing laboratory. The existing equipment shall be reconditioned and defective parts replaced before a conversion burner is installed. Conversion burners shall be installed in accordance with the installation instructions.

(e) *Location.* No furnace shall be placed in a bedroom, bathroom, closet or garage unless listed for such installation.

(2) **HEAT PUMP APPLIANCES.** (a) *Size.* Heat pump appliances shall be sized to provide control of the wet and dry bulb temperatures during cooling and maximum performance during heating. The heating balance point shall be considered to determine the outdoor temperature at which the heat pump must operate 100% of the time to offset the dwelling heat loss.

(b) *Auxiliary heaters.* Provisions for auxiliary heat to supplement the heat pump at outdoor temperatures below the balance point shall be provided. Auxiliary heaters shall be sized so that the heat pump auxiliary will offset the dwelling heat loss down to the heating design temperature.

(3) **BOILERS.** Boilers shall comply with ch. ILHR 41-42, Boiler and Pressure Vessel Code, ss. ILHR 41.10 and ILHR 41.50 through 41.53.

Note: The department will accept equipment listed by the American Society of Mechanical Engineers, Underwriters' Laboratories, and the American Gas Association.

(4) **SOLID-FUEL-BURNING APPLIANCES.** Solid-fuel-burning appliances shall comply with the following requirements:

(a) *Floor protection.* Stoves may be installed on combustible floors provided the floor is protected with a material such as 24-gauge or thicker sheet metal, 1/4-inch or thicker asbestos millboard covered with 24-gauge sheet metal, 4-inch hollow bricks, or 4 inches of stone or concrete, or equivalent. Such protection shall extend beneath the stove, at least 12 inches beyond all sides and at least 18 inches beyond sides having a door

Register, February, 1985. No. 350  
Heating, Ventilating and Air Conditioning Standards

or other similar opening. Stoves shall have a clearance of at least 4 inches to the floor.

(b) *Chimneys.* Wood-burning appliances shall be connected to a masonry chimney with a flue liner or an all-fuel, residential type factory-built chimney. Wood-burning equipment shall not be connected to a flue serving a fireplace or other equipment. The chimney shall be designed to create a natural draft to carry away the products of combustion or provision shall be made for mechanically maintaining constant updraft during equipment operation. A cleanout opening shall be provided. A listed multi-fuel appliance may be vented into a single flue.

(c) *Chimney connector or stovepipe.* The chimney connector or stovepipe shall comply with Table 23.15-A.

(d) *Damper.* A manual cast iron damper to control the draft shall be provided in the chimney connector next to the appliance.

(e) *Supplemental units.* Supplemental wood-burning units connected to a furnace shall be connected to the warm air side of the furnace in accordance with illustrations 23.01-A, 23.01-B or 23.01-C.

1. *Return air duct.* The area of the return air duct shall be at least equal to the area of the warm air supply duct. The return air duct shall be of the same material as specified for supply air ducts.

2. *Blower.* The blower on the furnace shall maintain the manufacturer's specifications for CFM and static pressure when the supplemental unit is in operation.

3. *Outside air intake.* The outside air intake shall be connected to the cold air return plenum of the furnace. A volume damper shall be placed in the duct for the fresh air intake.

4. *Thermostat.* The thermostat control on the supplemental heating unit shall activate the blower motor at a temperature between 100° and 120° F.

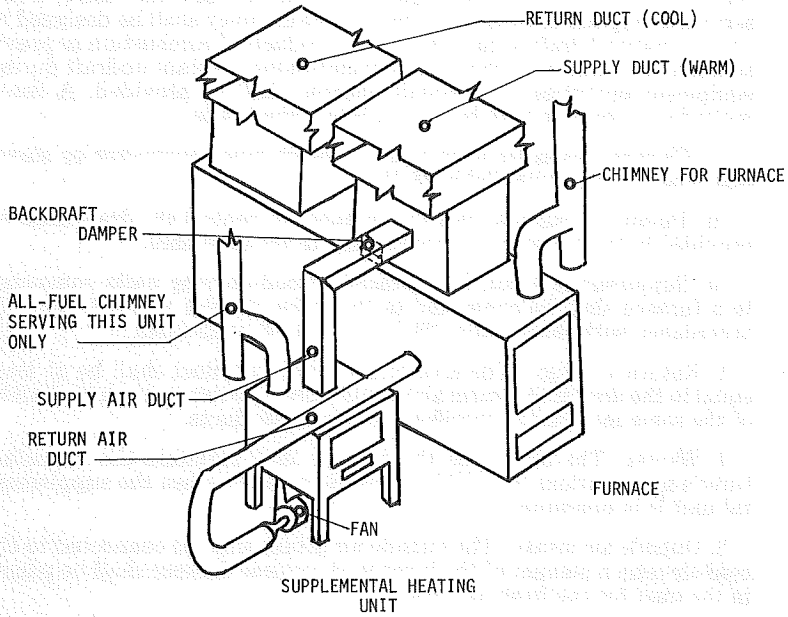


FIGURE 23.01-A



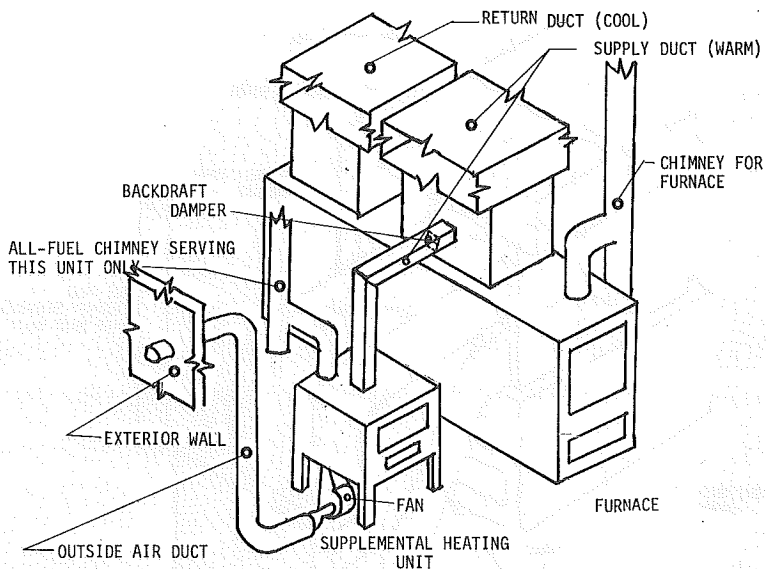
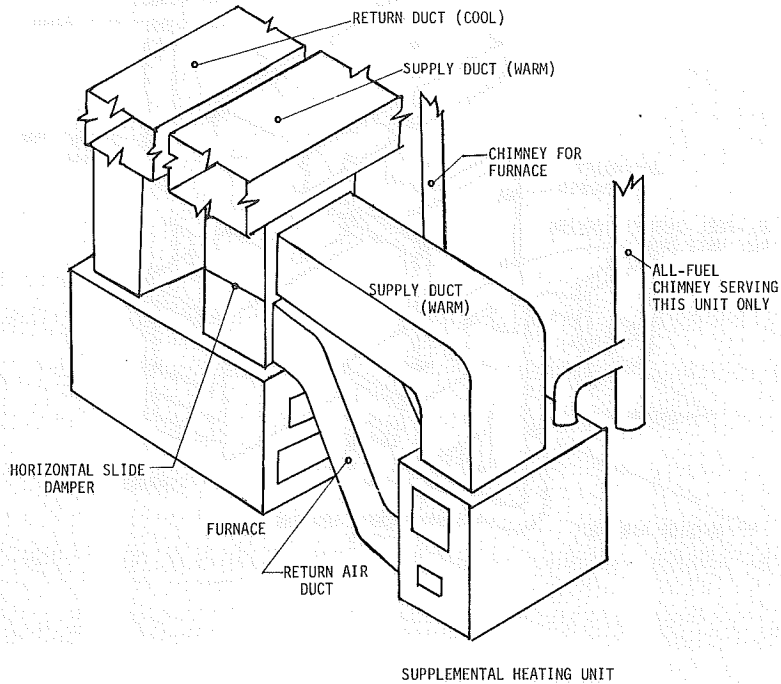


FIGURE 23.01-B



**FIGURE 23.01-C**

**History:** Cr. Register, November, 1979, No. 287, eff. 6-1-80; r. and recr. (1) (b), and am. (4) (b), Register, February, 1985, No. 350, eff. 3-1-85; correction in (3) made under s. 13.93 (2m) (b) 7, Stats., Register, February, 1985, No. 350.

Register, February, 1985, No. 350  
 Heating, Ventilating and Air Conditioning Standards

**ILHR 23.045 Solid fuel burning appliances.** (1) **GENERAL.** Solid fuel-burning appliances shall be installed as specified in this section. The installations shall also be in accordance with the appliance manufacturer's installation instructions if the manufacturer specifies the use of increased protection or greater clearances than those specified in this section.

(2) **LOCATION OF APPLIANCES.** (a) *Servicing.* Every appliance shall be located to permit access to the appliance. Sufficient clearance shall be maintained around the equipment to permit cleaning of surfaces; the placement of air filters, blowers, motors, controls and chimney connectors; the lubrication and servicing of moving parts; and the adjustment and servicing of stokers and appliance components.

(b) *Combustion Air.* Solid fuel-burning appliances shall not be installed in spaces where the volume of the room (measured in cubic feet) is less than 1/20th of the maximum input BTU rating of the appliance, unless combustion air is provided by one of the following methods:

1. Air from inside the dwelling. The openings shall be provided to the equipment enclosure. One opening shall be located within 12 inches from the floor and one opening shall be located within 24 inches from the top of the room. Each opening shall provide a minimum area of one square inch per 1,000 BTU per hour input.

2. Air from outside the dwelling. Two openings shall be provided to the equipment enclosure. One opening shall be located within 12 inches from the floor and one opening shall be located within 24 inches from the top of the room. Each opening shall provide a minimum area of one square inch per 4,000 BTU per hour input.

3. Combustion air openings. Openings required for combustion air to solid fuel-burning appliances shall be in addition to openings required for other appliances.

Note: Wood has a value of 8,600 BTU per pound.

(3) **CHIMNEYS.** (a) Solid fuel-burning appliances shall be connected to one of the following types of chimneys:

1. Factory-built chimneys or vents. A listed residential type and building heating appliance chimney or "building heating appliance only" chimney may be used with solid fuel-burning appliances where the flue gas temperature does not exceed 1,000°F continuously, and does not exceed 1,400°F for infrequent brief periods of forced firing.

2. Masonry chimneys. Masonry chimneys shall be constructed as specified in s. ILHR 21.30.

(4) **CHIMNEY CONNECTORS.** (a) All solid fuel-burning appliances shall be connected to chimneys with factory-built chimney material, Type L vent material or steel pipe with minimum thicknesses as specified in Table 23.045-A.

TABLE 23.045-A  
METAL THICKNESS FOR PIPE CONNECTORS

Diameter of Connector (inches)	Galvanized Sheet Gage No.	Minimum Thickness Inches
6 to 10	24	.023
over 10 to 16	22	.029
over 16	16	.056

(b) The required clearance to combustibles for chimney connectors shall be 18 inches. This clearance can be reduced in accordance with Table 23.045-D. The specified protection shall be applied to and cover all combustible material as specified in Figure 23.045.

(c) Connectors and chimneys for solid fuel-burning appliances shall be designed, located and installed to permit ready access for internal inspection and cleaning.

- (d) 1. Chimney connectors shall have no more than two 90° elbows.
2. The horizontal length shall not exceed 75% of the total vertical height of the entire venting system measured from the appliance outlet.
3. The connector shall maintain a rise of at least ¼ inch per foot from the appliance outlet to the chimney inlet.
4. Connectors shall be securely supported and joints fastened with a minimum of 3 sheet metal screws or rivets.
5. Appliances used mainly for wood burning shall have the joints assembled so that the crimped end points towards the stove. Appliances burning coal shall have the joints assembled so that the crimped end points away from the appliance.
6. A connector to a masonry chimney shall extend through the wall to the innerface of the liner but not beyond.
7. The effective area of the connector shall not be less than the area of the appliance flue collar.

(e) No chimney connectors may pass through any floor, ceiling, window, door or combustible wall nor be concealed in any closet, attic or similar space. A connector may pass through a combustible wall if the connector is guarded at the point of passage by one of the following methods:

1. Metal ventilated thimble not less than 12 inches larger in diameter than the connector.
2. All combustible material in the wall is cut away from the connector a sufficient distance to provide the required 18-inch clearance. Any material used to close up such openings shall be noncombustible.

(f) A manual, cast iron damper to control draft shall be provided in the chimney connector. The damper shall not obstruct more than 80% of the connector area. Listed solid-fuel appliances whose listing prohibits the

use of manual dampers in the connector shall not require a manual damper to be installed.

(5) **MOUNTING ON FLOORS.** (a) Appliances shall be placed on surfaces as described in Table 23.045-B. Solid fuel-burning appliances listed specifically for installation on a floor constructed of combustible material may be installed in accordance with the terms of the listing and the manufacturer's instructions.

**TABLE 23.045-B**  
**FLOOR MOUNTINGS FOR**  
**SOLID FUEL-BURNING APPLIANCES**

Kind of Appliance	Allowed Mounting
(1) All forced air and gravity furnaces, steam and water boilers.	Floors of fire-resistive construction with noncombustible water heaters, fireplace flooring and surface finish, or fire-resistive arches or slabs. These constructions shall have no combustible material against the underside. Such construction shall extend at least 18 inches beyond the appliance on all sides.
(2) Residential-type ranges, fireplace stoves, room heaters and combination fireplace stove/room heaters, having less than 2 inches of ventilated open space beneath the fire chamber or base of the unit.	These appliances shall not be placed on combustible floors.
(3) Residential-type ranges, water heaters, fireplace stoves, room heaters and combination fireplace stove/room heaters having legs or pedestals providing 2 to 6 inches of ventilated open space beneath the fire chamber or base of the heater.	On combustible floors when such floors are protected by 4 inches of hollow masonry, laid to provide air circulation through the masonry layer. Such masonry shall be covered with 24 gage sheet metal.
(4) Residential-type ranges, water heaters, fireplace stoves, room heaters and combination fireplace stove/room heaters having legs or pedestals providing over 6 inches of ventilated open space beneath the fire chamber or base of the covered heater.	The required floor protection shall extend at least 18 inches on all sides of the appliance. Noncombustible floors shall extend at least 18 inches on all sides of the appliance.
(4) Residential-type ranges, water heaters, fireplace stoves, room heaters and combination fireplace stove/room heaters having legs or pedestals providing over 6 inches of ventilated open space beneath the fire chamber or base of the covered heater.	On combustible floors, when such floors are protected by closely spaced masonry units of brick, concrete or stone, which provide at least 2 inches of thickness, such masonry shall be covered by or placed over a sheet of 24 gage steel. The required floor protection shall extend at least 18 inches on all sides of the appliance. Noncombustible floors shall extend at least 18 inches on all sides of the appliance.

(6) **CLEARANCES** (a) Solid fuel-burning equipment shall be installed with clearances not less than specified in Table 23.045-C.

(b) 1. **Listed\*appliances exception.** Listed appliances may be installed with clearances other than that specified by Table 23.045-C if installed in accordance with the terms of their listing and the manufacturer's instructions.

2. Clearance with protection exception. Chimney and vent connectors may be installed with reduced clearances provided the combustible material is protected as described in Table 23.045-D. The specified protection shall be applied to and cover all combustible material as specified in Figure 23.045.

TABLE 23.045-C  
STANDARD CLEARANCES FOR  
SOLID FUEL-BURNING APPLIANCES

Type of Appliance	Above Top of Cas- ing or Appliance. Above Top and Sides of Furnace Plenum or Bonnet (inches)	Minimum Standard Clearances (inches)		
		From Front	From Back	From Sides
<u>Residential Appliances</u>				
Steam Boilers - 15 psi				
Water Boilers - 250° F max.	6	48	6	6
Water Boilers - 200° F max.				
All Water Walled or Jacketed				
<u>Furnaces</u>				
Gravity and Forced Air	18	48	18	18
<u>Room Heaters, Fireplace Stoves, Combinations</u>				
	36	36	36	36
			Firing Side	Opp. Side
<u>Ranges</u>				
Lined Firechamber	30	36	24	18
Unlined Firechamber	30	36	36	18

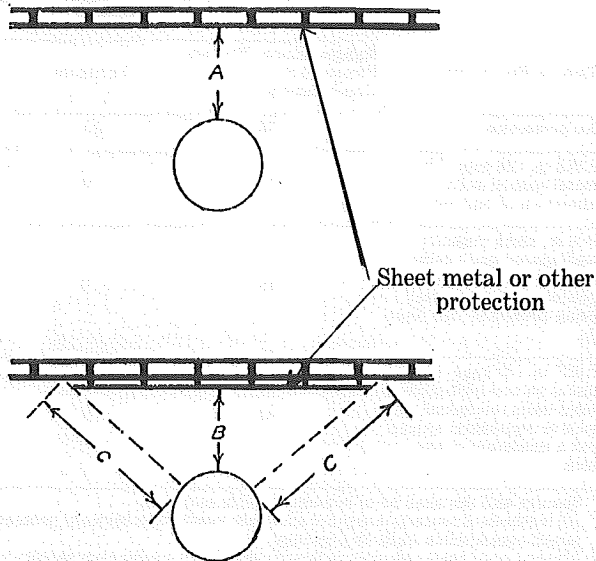
TABLE 23.045-D

CONNECTOR CLEARANCES WITH SPECIFIED  
FORMS OF PROTECTION <sup>1,2,3,4,5,6</sup>

Type of Protection	Minimum Required Connector Clearances for: (inches)		
	Ranges, Room Heaters Fireplace Stoves, Combinations	Furnaces	Residential Appliances (Boilers)
No protection.	36	18	6
0.013 in. (28 gage) sheet metal spaced out a minimum of one inch.	18	9	2
3-½ in. thick masonry wall spaced out a minimum of one inch and adequately tied to the wall being protected (see Note 4).	18	9	2
0.027 in. (22 gage) sheet metal on one-inch mineral wool batts reinforced with wire or equivalent spaced out a minimum of one inch.	12	3	2

- <sup>1</sup> Spacers and ties shall be of noncombustible material.
- <sup>2</sup> All methods of protection require adequate ventilation between protective material and adjacent combustible walls and ceilings.
- <sup>3</sup> Mineral wool batts (blanket or board) shall have a minimum density of 8 pounds per cubic foot and a minimum melting point of 1550° F.
- <sup>4</sup> If a single wall connector passes through the masonry wall there shall be at least ½ inch of open ventilated air space between the connector and the masonry.
- <sup>5</sup> There shall be at least one inch between the appliance and the protector.
- <sup>6</sup> Clearances in front of the appliances shall not be reduced from those in Table 23.045-C.

**FIGURE 23.045**  
**CONSTRUCTION USING COMBUSTIBLE MATERIAL**



“A” Equals the required clearance with no protection, specified in Table 23.045-D.

“B” Equals the reduced clearance permitted in accordance with Table 23.045-D. The wall protection should extend far enough in each direction to make ‘C’ equal to ‘A’.

(7) **ACCESSORIES.** Accessories for solid fuel-burning appliances such as heat exchangers, stove mats, floor pad and protection shields, shall be listed and shall be installed in accordance with the terms of their listing.

(8) **SUPPLEMENTAL UNITS.** Supplemental solid fuel-burning units connected to a furnace shall be connected to the warm air side of the furnace and shall conform to the following provisions:

(a) *Return Air Duct.* The area of the return air duct shall be at least equal to the area of the warm air supply duct. The return air duct shall be of the same material as specified for supply air ducts.

(b) *Blower.* The blower on the furnace shall maintain the manufacturer’s specifications for cubic feet per minute air flow and static pressure when the supplemental unit is in operation.

(c) *Outside Air Intake.* The outside air intake shall be connected to the cold air return plenum of the furnace. A volume damper shall be placed in the duct for the fresh air intake.

Register, February, 1985, No. 350  
 Heating, Ventilating and Air Conditioning Standards



(d) *Thermostat.* The thermostat control on the supplemental heating unit shall activate the blower motor at a temperature between 100° and 120° F.

(9) **SUPPLY DUCTS.** Supply ducts connected to solid fuel-burning appliances shall have the following minimum clearances to combustibles:

(a) *Horizontal ducts.* The clearance from combustibles for horizontal ducts shall be as specified in Table 23.045-E.

TABLE 23.045-E

Distance of Ducts From Bonnet or Plenum (inches)	Clearance to Combustibles <sup>1</sup> Required (inches)
0 to 36	18
over 36 to 72	6
over 72	1

<sup>1</sup>Clearance can be reduced in accordance with Table 23.045-D

(b) *Vertical ducts.* 1. Air shall travel 6 feet and change directions equivalent to one 90° turn before entering an enclosure of combustible material.

2. Ducts shall have 3/16 inch clearance between the duct and any combustible material.

(10) **COMBINATION APPLIANCES.** Appliances capable of burning multi-types of fuel shall be listed and installed in accordance with their listing.

History: Cr. Register, February, 1985, No. 350, eff. 3-1-85.

**ILHR 23.05 Safety controls.** High limit, maximum outlet air temperature and similar safety controls shall be provided on heating equipment.

History: Cr. Register, November, 1979, No. 287, eff. 6-1-80.

**ILHR 23.06 Combustion air.** All fuel-burning heating equipment, except sealed combustion appliances, cooking appliances, refrigerators and clothes dryers, shall be provided with a supply of air for fuel combustion.

(1) **EQUIPMENT LOCATED IN UNCONFINED SPACES.** (a) *Infiltration.* Combustion air may be provided by means of infiltration where the volume of the room (measured in cubic feet) in which the burner is located is greater than 1/20 of the maximum input BTU rating of the burner(s).

(b) *Openings.* Where exterior openings are used to provide combustion air from the outside to appliances located in unconfined spaces, the opening shall be designed to provide one square inch of area for each 5,000 BTU per hour of input rating.

(2) **EQUIPMENT LOCATED IN CONFINED SPACES.** Combustion air provided to equipment located in confined spaces shall be installed in accordance with the following:

(a) *Air from inside the dwelling.* Two openings shall be provided to the equipment enclosure. One opening shall be located within 12 inches from the floor and one opening shall be located within 24 inches from the top of the room. Each opening shall provide a minimum area of one square inch per 1,000 BTU per hour input.

Register, February, 1985, No. 350  
Heating, Ventilating and Air Conditioning Standards

## ILHR 23

(b) *Air from outside the dwelling.* Two openings shall be provided to the equipment enclosure. One opening shall be located within 12 inches from the floor and one opening shall be located within 24 inches from the top of the room. Each opening shall provide a minimum area of one square inch per 4,000 BTU per hour input.

History: Cr. Register, November, 1979, No. 287, eff. 6-1-80.

## SUBCHAPTER IV—DELIVERY SYSTEMS

**ILHR 23.07 Air distribution systems.** (1) **SIZING.** All air distribution systems shall be sized using the velocities and static pressure losses listed in Table 23.07.

TABLE 23.07  
DUCT VELOCITIES

Designation	Maximum Static Pressure Loss (in WG 100 ft)	Minimum Velocity (feet minute)	Maximum Velocity (feet minute)
Main trunk duct	.10	700-900	800-1200
Branch duct	.10	600	700-1000
Branch riser	.10	500	650-800
Outdoor intake	.10	500	800
Grilles or openings	.10	400	600
Return air door undercuts	.10	200	300
Return air door or wall louvers	.10	200	300

WG = Water gauge per 100 feet.

(2) **SYSTEM SIZING.** The distribution system, including the evaporator coil, air filters (installed external to the heating unit), ducts, fittings, grilles and registers, shall be sized so that the total external static pressure shall not exceed the static pressure capacity of the fan at the system rated air flow.

(3) **CHANGES IN DUCT SIZE.** Where duct sizes are changed, the slope angle of the transition duct shall not exceed 45°.

History: Cr. Register, November, 1979, No. 287 eff. 6-1-80.

**ILHR 23.08 Ductwork.** (1) **DUCT USE.** Ducts designed for the transmission of air shall be used for no other purpose.

(2) **INTERIOR DUCTS.** All interior ducts shall be constructed in accordance with the following:

(a) *Supply and return air ducts.* All supply and return air ducts shall be constructed of sheet metal or lined with sheet metal or other noncombustible materials.

1. Exception. Nonmetallic ducts or flexible ducts may be used except in connection with kitchen exhaust ducts or where the duct air temperature exceeds 250° F. Nonmetallic or flexible ducts shall not be connected to a furnace unless a connecting duct of sheet metal, having a length of at least 6 feet, is used to separate nonmetallic ducts from the appliance.

2. Exception. Unlined wood joists and stud spaces may be used as return air ducts. Wood joists and stud spaces used as return air ducts shall

Register, February, 1985, No. 350  
Heating, Ventilating and Air Conditioning Standards

be cut off from all remaining unused portions by tight-fitting stops of sheet metal or of wood at least 2 inches nominal thickness. Bridging shall be removed from the joist space.

(3) **EXTERIOR DUCTS.** Ducts located outside the dwelling (in garages, attics and similar spaces) shall be constructed of galvanized steel or corrosion-resistive metal.

(4) **UNDERGROUND DUCTS.** Ducts, plenums and fittings constructed of asbestos cement, metal encased in concrete or ceramic, or other approved materials, may be installed in the ground. Supply air ducts installed parallel and adjacent to an outside wall shall be insulated with a moistureproof material having a resistance value of at least R-5 to a depth of at least 48 inches.

(5) **METAL STANDARDS.** All sheet metal ducts and fittings shall be constructed in compliance with standards approved by the department.

**Note:** The department will accept ducts designed in accordance with the ASHRAE Handbook of Fundamentals, published by the American Society of Heating, Refrigerating and Air-Conditioning Engineers, or as illustrated in the low velocity or high velocity duct construction standards published by the Sheet Metal and Air Conditioning Contractors National Association, Inc.

(6) **THICKNESS.** Ducts shall conform to the minimum thicknesses listed in Table 23.08-A.

(7) **DUCT SUPPORT.** Ductwork shall be fastened in place and braced to prevent lateral displacement in accordance with Table 23.08-B.

TABLE 23.08-A

DUCT CONSTRUCTION MINIMUM SHEET METAL GAUGES

		Minimum thickness galvanized sheet gauge	Minimum thickness aluminum B & S gauge
Metal gauges (duct not enclosed in partitions)			
Round ducts			
Diameter, inches			
Less than 12		30	26
12-14		28	26
15-18		26	24
Over 18		24	22
Rectangular Ducts			
Width, inches			
Less than 14		28	24
14-24		26	22
25-30		24	22
Over 30		22	20
Metal gauges (ducts enclosed in partition)			
Width, inches			
14 or less		30	26
Over 14		28	24

TABLE 23.08-B  
DUCT SUPPORT MATERIAL

Duct Type	Maximum Size of Diameter (inches)	Duct Position	Hanger or Strap Size and Spacing
Circular	10	Vertical	No. 18 gage galvanized steel x 2" @ 12' o.c.
		Horizontal	No. 30 gage galvanized steel x 1" or No. 18 steel wire @ 10' o.c.
	20	Vertical	No. 16 gage galvanized steel x 2" @ 12' o.c.
		Horizontal	No. 28 gage galvanized steel x 1" or No. 18 steel wire @ 10' o.c.
Rectangular <sup>1</sup>	24	Vertical	1" x 1/8" steel galvanized strap @ 12' o.c.
		Horizontal	No. 18 gage galvanized steel x 1" @ 10' o.c.
		Vertical	1" x 1-1/8" galvanized steel angle @ 12' o.c.
		Horizontal	1" x 1/8" galvanized steel strap @ 10' o.c.

<sup>1</sup>Rectangular metal duct supports should consist of one hanger attached to one-inch wide circular bands of the duct extending around and supporting ducts exceeding 10 inches in diameter.

Note: This table does not prohibit nailing for duct support.

(8) JOINTS AND SEAMS. All joints and seams shall be securely fastened or locked. Round pipe slip joints shall be lapped at least one inch.

(9) VIBRATION CONTROL. When used, vibration isolation connectors shall be installed at the joint between the duct and fan or heating equipment. Vibration isolation connectors shall not be used where the air temperature is in excess of 250° F.

History: Cr. Register, November, 1979, No. 287, eff. 6-1-80.

**ILHR 23.09 Dampers, registers and grilles.** (1) VOLUME AND BACKDRAFT DAMPERS. Volume duct dampers shall be provided to permit balancing of the system. No supply ducts shall terminate in a garage without a backdraft damper.

(2) AIR REGISTERS AND GRILLES. (a) *Supply air registers.* All supply air outlets shall be provided with registers or devices which will provide a uniform distribution of air.

(b) *Return air grilles.* Return air grilles shall not be located in bathrooms, kitchens, garages, utility spaces or a confined space in which a draft diverter or draft regulator is located. All other habitable spaces shall have permanent openings to a return air grille equal in area to the supply outlet serving those areas. At least one return air opening shall be provided for each floor.

**ILHR 23.10 Piping.** (1) PIPE SIZES AND ARRANGEMENT. All steam and hot water supply and return piping, air-line piping and auxiliary equipment shall be of appropriate sizes, elevations and arrangements to accomplish the calculated results without stress or other detriment.

Note: The sizes of pipe to be used for mains and risers may be selected from the ASHRAE Guide and Data Book, published by the American Society of Heating, Refrigerating and Air Register, February, 1985, No. 350 Heating, Ventilating and Air Conditioning Standards

Conditioning Engineers; or the manuals published by the Institute of Boiler and Radiator Manufacturers or the Mechanical Contractors Association of America.

(2) **EXPANSION AND CONTRACTION.** The piping for the heating system shall be equipped with anchors, expansion swings or joints, supports and similar devices to relieve stress and strain caused by temperature change of the pipe material.

(3) **PIPE INSULATION.** Unguarded steam, hot water supply and return piping shall be covered with insulating material where the pipes pass through occupied areas and the surface temperature exceeds 180° F.

(4) **STEAM AND HOT WATER PIPES.** No pipe carrying hot water or steam at a surface temperature exceeding 250° F shall be placed within one inch of any combustible material, pass through a combustible floor, ceiling or partition unless the pipe is protected by a metal sleeve one inch larger in diameter than the pipe or with approved pipe covering.

(5) **BALANCING.** Balancing cocks shall be provided in each circuit of a hot water distribution system.

History: Cr. Register, November, 1979, No. 287, eff. 6-1-80.

#### SUBCHAPTER V—CHIMNEYS AND VENTS

**ILHR 23.11 General requirements. (1) TYPES OF CHIMNEYS AND VENTS.** All heating appliances using solid, liquid or gas fuels shall be vented to the outside by an all-fuel factory-built, masonry chimney or other listed venting system designed to remove the products of combustion.

(2) **TERMINATION.** All chimneys or vents depending on a principle of gravity for the removal of the products of combustion shall extend at least 3 feet above the highest point where the chimneys and vents pass through the roof of the building, and at least 2 feet higher than any ridge, peak, wall, or roof within 10 feet horizontally of the chimney or vent.

(3) **CHIMNEY OR VENT INLETS.** Two appliances using the same type of fuel may be vented into the same flue provided the separate inlets are offset at least 12 inches vertically; or the separate inlets occur at right angles to each other; or the appliances are connected to a single inlet through a common manifold. Chimneys serving fireplaces or other solid-fuel-burning appliances shall not be used to vent any other equipment or appliance.

History: Cr. Register, November, 1979, No. 287, eff. 6-1-80; renum. (intro) to (2) to be (1) to (3) and am. (1), Register, February, 1985, No. 350, eff. 3-1-85.

**ILHR 23.12 Masonry chimneys.** Masonry chimneys shall conform to the following provisions:

(1) **MATERIALS.** No masonry chimney shall rest upon wood. The foundation shall be designed and built in conformity with the requirements for foundations. Masonry chimney walls shall be at least 4 inches in nominal thickness. Hollow-cored masonry units may be used to meet the 4 inch nominal thickness requirement.

(2) **FLUE SIZE.** Chimney flues for appliances shall be at least equal in area to that of the area of the connector from the appliance.

Register, February, 1985, No. 350  
Heating, Ventilating and Air Conditioning Standards

(3) **MULTIPLE FLUE SEPARATION.** When more than one flue is contained in the same chimney, a masonry separation of at least 4 inches nominal in thickness shall be provided between the individual flues. The joints of adjacent flue linings shall be staggered by at least 7 inches.

(4) **CORBELING.** Unless designed through structural analysis, masonry chimneys shall not be corbeled from a wall more than 6 inches nor shall a masonry chimney be corbeled from a wall less than 12 inches in nominal thickness unless it projects equally on each side of the wall. The corbeling shall not exceed one-inch projection for each brick course.

(5) **INLETS.** Inlets to masonry chimneys shall enter the side and be provided with thimbles. Thimbles shall be at least No. 24 manufacturer's standard gauge (0.024 inch) or  $\frac{3}{16}$ -inch thick refractory material. Each chimney shall have an inlet installed at the time of construction.

(6) **CLEAN-OUT OPENING.** Every masonry chimney shall be provided with a clean-out opening at the base. Such openings shall be equipped with metal doors and frames arranged to remain closed when not in use. Clean-out openings shall be located below the lowest inlet to the flue.

(7) **FLUE LINERS.** (a) Masonry chimneys shall be lined with fireclay flue lining at least  $\frac{3}{8}$ -inch thick, vitrified clay sewer pipe or with material that will resist corrosion, softening or cracking from flue gases at temperatures up to 1800° F. Flue liners shall commence at the chimney footings.

(b) All flue liners shall be laid in a full mortar bed.

(c) Variations in inside and outside dimensions shall not exceed  $\frac{1}{4}$  inch for clay flue liners.

(8) **CHIMNEY CAPS.** Precast or cast-in-place concrete caps shall have a minimum thickness of 2 inches. A minimum of a  $\frac{1}{4}$  inch mortar joint shall be used between flues and caps and shall be caulked or sealed.

Note: Mortar means refractory cement.

(9) **CLEARANCE TO COMBUSTIBLES.** (a) The minimum clearance between masonry chimneys and combustible material shall be 2 inches for interior chimneys and  $\frac{1}{2}$  inch for chimneys located at the exterior wall.

(b) The clearance between the masonry chimney and combustible flooring and trim shall be at least  $\frac{1}{2}$  inch.

(c) Ends of wood girders may be supported on a corbeled shelf of a masonry chimney provided there is at least 8 inches of solid masonry between the ends of the girder and the flue liner.

(d) Combustible lath, combustible furring or combustible plaster grounds shall not be placed closer than 1- $\frac{1}{2}$  inches from the masonry. This requirement shall not:

1. Prevent plastering directly on the masonry or on metal lath and metal furring or
2. Prevent attaching combustible furring and sheathing to the masonry exterior.

(e) All spaces between the masonry and the framing shall be draft stopped.

History: Cr. Register, November, 1979, No. 287, eff. 6-1-80; r. and recr. Register, February, 1985, No. 350, eff. 3-1-85.

**ILHR 23.13 Factory-built chimneys or vents.** Factory-built chimneys or vents shall be of an approved type.

Note: The department recognizes as approved, factory-built chimneys or vents designated as "residential type and building heating appliance," "building heating appliance," "B," "BW," and "L" types listed by Underwriters' Laboratories, Inc.

(1) **RESIDENTIAL TYPE AND BUILDING HEATING APPLIANCE.** An approved "residential type and building heating appliance" chimney or a "building heating appliance only" chimney may be used with solid, liquid or gas-fired heating appliances where the flue gas temperature does not exceed 1000° F continuously, and does not exceed 1400° F for infrequent brief periods of forced firing.

(2) **TYPE "B".** An approved type "B" gas vent may be used with a vented, recessed wall heater.

(3) **TYPE "BW".** An approved type "BW" gas vent may be used with a vented, recessed wall heater.

History: Cr. Register, November, 1979, No. 287, eff. 6-1-80.

**ILHR 23.14 Gas vents.** All gas-fired equipment shall be provided with vent pipes conforming to the requirements for smoke pipes or for gas vents as specified in s. ILHR 23.15 (2) (g).

History: Cr. Register, November, 1979, No. 287, eff. 6-1-80.

**ILHR 23.15 Chimney connectors, smoke pipes and stovepipes.** (1) **DEFINITION.** Chimney connectors, smoke pipes or stovepipes are passages for conducting the products of combustion from a fuel-fired appliance to the chimney.

(2) **CONSTRUCTION AND INSTALLATION.** The construction and installation of chimney connectors shall conform with the following requirements:

(a) *Concealed space.* No chimney connector shall pass through any outside window, door or combustible outside wall, nor be concealed in any closet, attic or similar space.

(b) *Combustible partitions.* Connectors for appliances shall not pass through walls or partitions constructed of combustible material unless they are guarded at the point of passage by:

1. Metal ventilated thimbles not less than 12 inches larger in diameter than the connector;

2. Metal or burned fireclay thimbles built in brickwork or other approved fireproofing materials extending not less than 8 inches beyond all sides of the thimble.

(c) *Distance from materials.* No part of any chimney connector shall be placed nearer to any combustible partition or wall than the diameter of the pipe, nor nearer to any non-fire-resistive ceiling than 1-½ times the diameter. The above distances may be reduced by one-half if the wall or

Register, February, 1985, No. 350  
Heating, Ventilating and Air Conditioning Standards

ceiling is covered with not less than ¼-inch asbestos board covered with sheet metal or with equivalent protection.

Note: See Table 23.04-B for reduced clearances.

(d) *Multiple appliance venting.* Two or more listed appliances using the same type of fuel may be connected to a common gravity-type flue provided the appliances are equipped with listed primary safety controls and listed shutoff devices and comply with the following requirements.

1. The appliances shall be located in the same story, except for engineered venting systems.

2. The appliances shall be joined at a manifold or Y-type fitting as close to the chimney as possible, unless the connector from each appliance enters a separate chimney inlet and the inlets are offset in accordance with the requirements of s. ILHR 23.11 (2).

3. The chimney connector and chimney flue shall be sized to accommodate the total volume of flue gases. For gas-burning appliances, the venting area shall be at least equal to the size of the largest vent connectors plus at least 50% of the area of the other vent connectors.

(e) *Pitch and length.* Chimney or vent connectors shall have no more than two 45° offsets with the vertical. The horizontal length shall not exceed 75% of the total vertical height of the total venting system measured from the appliance outlet. Chimney or vent connectors shall be pitched at least ¼-inch per foot from the appliance outlet collar vent to the chimney inlet.

(f) *Dampers.* The use of manually operated dampers shall be prohibited in chimney or vent connectors of all appliances except wood-burning appliances. When used, listed automatically operated dampers interlocked with the heating appliance shall be installed in accordance with the approved listing.

(g) *Materials and thickness.* Chimney or vent connectors serving liquid and solid fuel appliances shall conform to the type of material and thickness indicated in tables 23.15-A or 23.15-B.

(h) *Clearance.* Single wall metal connectors shall be installed with clearance to combustibles as indicated in Table 23.15-C. These clearances may be reduced if the combustible material is protected in accordance with the requirements of Table 23.04-B.

TABLE 23.15-A

MINIMUM CHIMNEY CONNECTOR GAGES FOR OIL, WOOD AND COAL

Diameter of Connector	Galvanized Steel Gage Number	
	Min. thickness (inch)	Gage
Less than 6 inches	.019	26
6 inches to less than 10 inches	.024	24
10 inches to 13 inches	.030	22
14 inches to 16 inches	.036	20
Greater than 16 inches	.058	16

Register, February, 1985. No. 350  
Heating, Ventilating and Air Conditioning Standards



TABLE 23.15-B  
MINIMUM VENT CONNECTOR GAGES FOR GAS

Diameter of Connector	Galvanized Steel Gage Number	
	Min. thickness (inch)	Gage
1 inch through 4 inches	.016	28
5 inches or over	.026	24

TABLE 23.15-C  
CHIMNEY CONNECTOR AND VENT CONNECTOR CLEARANCES  
FROM COMBUSTIBLE MATERIALS (See Note 4)

Description of Appliance	Minimum Clearance Inches (See Note 1)
Single-Wall Metal Pipe Connectors	
Gas Appliances Without Draft Hoods	18
Electric, Gas, and Oil Incinerators	18
Oil and Solid-Fuel Appliances	18
Unlisted Gas Appliances With Draft Hoods	9
Boilers and Furnaces Equipped With Listed Gas Burners and With Draft Hoods	9
Oil Appliances Listed as Suitable for Use With Type L Venting Systems, but only when connected to chimneys	9
Listed Gas Appliances With Draft Hoods. See Note 3.	6
Type L Vent Piping Connectors	
Gas Appliances Without Draft Hoods	9
Electric, Gas, and Oil Incinerators	9
Oil and Solid-Fuel Appliances	9
Unlisted Gas Appliances With Draft Hoods	6
Boilers and Furnaces Equipped With Listed Gas Burners and With Draft Hoods	6
Oil Appliances Listed as Suitable for Use with Type L Vents	(See Note 2)
Listed Gas Appliances With Draft Hoods	(See Note 3)
Type B Gas Vent Piping Connectors	
Listed Gas Appliances With Draft Hoods	(See Note 3)

<sup>1</sup>These clearances apply except if the listing of an appliance specifies different clearance, in which case the listed clearance takes precedence.

<sup>2</sup>If listed type L venting system piping is used, the clearance may be in accordance with the venting system listing.

<sup>3</sup>If listed type B or type L venting system piping is used, the clearance may be in accordance with the venting system listing.

<sup>4</sup>The clearances from connectors to combustible materials may be reduced if the combustible material is protected in accordance with Table 23.04-B.

History: Cr. Register, November, 1979, No. 287, eff. 6-1-80.

SUBCHAPTER VI—FUEL SUPPLY SYSTEMS

ILHR 23.16 Fuel storage. (1) LIQUEFIED PETROLEUM GAS STORAGE TANKS. All liquefied petroleum gas storage tanks shall be constructed to conform with the applicable sections of chs. ILHR 11 and 12, Liquefied Petroleum Gases and Liquefied Natural Gases.

- (a) No tanks shall be located inside dwellings.
- (b) Gas shutoff valves shall be provided at each tank, at the gas service entry into the dwelling, and at each heating unit.

Register, February, 1985, No. 350  
Heating, Ventilating and Air Conditioning Standards

(c) Tanks shall have welded steel supports and be permanently installed on concrete pads or foundations.

(2) OIL STORAGE TANKS. (a) Oil storage tanks on the inside of any dwelling shall be located at the same level as the furnace it serves.

(b) The total storage capacity inside any dwelling unit shall be limited to 550 gallons in one tank, or not more than 275 gallons in each of 2 storage tanks cross-connected to a single burner.

(c) Underground tanks shall be constructed of steel or other approved noncombustible material, provided the material is compatible with fuel oil.

(d) Storage of fuel oil above ground shall not be in excess of 550 gallons. Storage tanks installed outside and above ground shall be installed on a firm and level foundation.

(e) The fuel oil tank shall be equipped with a fill pipe, vent pipe, oil gauge, oil filter and shutoff valve. The vent pipe and fill pipe shall terminate outside of the dwelling and be located at least 2 feet from any opening. The fill pipe shall be at least 2 inches in diameter and the vent pipe shall be at least 1¼ inches in diameter. The vent pipe and fill pipe shall be provided with a weatherproof cap.

Note: The department will accept installations which conform with NFPA standard No. 31, Oil-Burning Equipment.

(3) GAS PIPING. (a) *Materials.* Gas piping materials shall be black IPS wrought iron or steel or other approved piping or tubing and fittings designed for use with fuel gas. Gas valves and connections shall be approved types designed for use with fuel gas.

(b) *Piping support.* Gas piping shall be supported by metal straps or hooks spaced not more than 10 feet apart.

(4) SHUTOFF AND CONTROL DEVICES. (a) An accessible approved shutoff valve shall be installed ahead of the union or other connection in the fuel piping. Service valves on gas-fired equipment shall be located between 4 and 6 feet above the floor.

(b) Automatic gas-burning heating appliances shall be equipped with listed devices which will shut off the gas to the pilot light and main burner(s) in the event of pilot failure.

(c) Liquid fuel-burning appliances shall be equipped with primary safety controls which will shut off the flow of fuel to the burner(s) in the event of ignition failure.

Note: The department will accept installations conforming to NFPA standard No. 54, National Fuel Gas Code.

History: Cr. Register, November, 1979, No. 287, eff. 6-1-80; correction in (1) (intro.), made under s. 13.93 (2m) (b) 7, Stats. Register, February, 1985, No. 350, 3-1-85.

## SUBCHAPTER VII—EQUIPMENT LOCATION AND OPERATION

**ILHR 23.17 Equipment location.** (1) **OUTDOOR EQUIPMENT.** Outdoor equipment shall be located so as to not restrict the air flow or recirculation of air. Outdoor equipment so located as to be subject to damage shall be protected.

Register, February, 1985, No. 350  
Heating, Ventilating and Air Conditioning Standards

(2) **INDOOR EQUIPMENT.** All indoor equipment shall be installed with a minimum of 24 inches of clearance for service.

History: Cr. Register, November, 1979, No. 287, eff. 6-1-80.

**ILHR 23.18 Operation.** (1) **INSTRUCTIONS.** Written instructions shall be provided the owner for the operation and maintenance of the system and equipment.

(2) **FINAL TEST REQUIRED.** The installer shall test and balance every heating, ventilating and air conditioning system.

History: Cr. Register, November, 1979, No. 287, eff. 6-1-80.